

**EN** - For pricing and availability in your local country please visit one of the below links:

**DE** - Informationen zu Preisen und Verfügbarkeit in Ihrem Land erhalten Sie über die unten aufgeführten Links:

**FR** - Pour connaître les tarifs et la disponibilité dans votre pays, cliquez sur l'un des liens suivants:

[MS86L-FFF-C](#)

[MS86S-N10-C](#)

[MPZ-56F](#)

[MPZ-56G](#)

**EN**

This Datasheet is presented by  
the manufacturer

**DE**

Dieses Datenblatt wird vom  
Hersteller bereitgestellt

**FR**

Cette fiche technique est  
présentée par le fabricant

# TOWER & SIGNAL LIGHTS CONTROL SWITCHES



# PTE Ø56mm LED Modular Style Steady & Flashing with Buzzer

## TOWER LIGHTS



- LED modular components
- Bright & even light distribution through prism-cut lenses
- Fast & easy assembly with inter-locking construction
- 3 base body options
- Optional 85dB Buzzer (fixed or adjustable volume)
- NEMA 4x / IP65 rated
- RoHS compliant



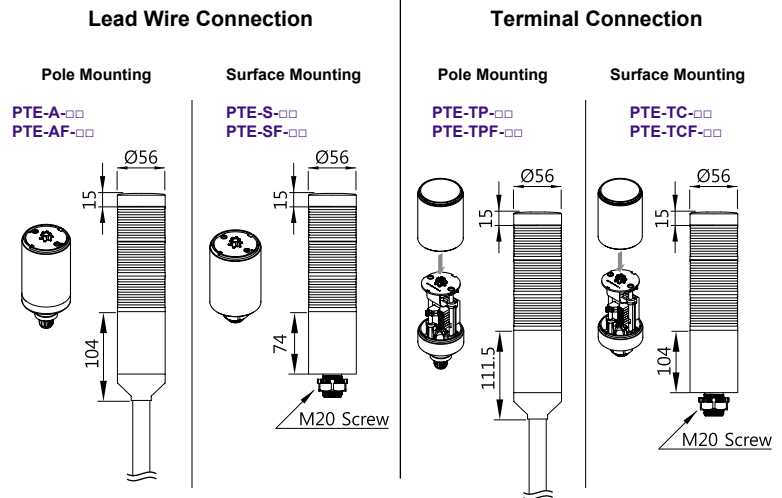
### Order Information

#### Body Units

Body Type		Voltage	Part Number	
			Steady	Steady & Flashing
Lead Wire Connection	Pole Mounting	AC 90~240V	PTE-A-FF	PTE-AF-FF
		DC/AC 24V	PTE-A-02	PTE-AF-02
	Surface Mounting	AC 90~240V	PTE-S-FF	PTE-SF-FF
		DC/AC 24V	PTE-S-02	PTE-SF-02
Terminal Connection	Pole Mounting	AC 90~240V	PTE-TP-FF	PTE-TPF-FF
		DC/AC 24V	PTE-TP-02	PTE-TPF-02
	Surface Mounting	AC 90~240V	PTE-TC-FF	PTE-TCF-FF
		DC/AC 24V	PTE-TC-02	PTE-TCF-02

### Dimensions

unit: mm



#### LED Modules

LED Color	Part Number	
	Standard Module	Dome Head Module
RED	PTE-02R	PTD-02R
Yellow	PTE-02Y	PTD-02Y
Green	PTE-02G	PTD-02G
Blue	PTE-02B	PTD-02B
*Clear	PTE-02C	PTD-02C

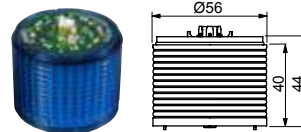
\*Clear Module cannot be used with Buzzer.

#### Locking Bolts

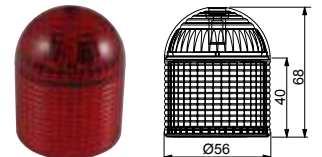
Number of LED Stacks	Part Number	Size
1 Stack	B-PTE-1	M4, 65mm
2 Stacks	B-PTE-2	M4, 105mm
3 Stacks	B-PTE-3	M4, 145mm
4 Stacks	B-PTE-4	M4, 185mm
5 Stacks	B-PTE-5	M4, 225mm

\*Note: Do NOT count Buzzer as a stack.

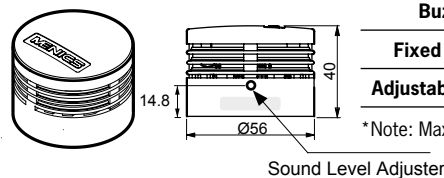
#### Standard Modules



#### Dome Head Modules



#### Buzzer Kits



#### Buzzer Kits (Optional)

Buzzer Style	Part Number
Fixed Sound Level	MPZ-56F
Adjustable Sound Level	MPZ-56G

\*Note: Max. number of tier including Buzzer is 5.

See Page 13-14 for Mounting Options and Accessories.

# Specifications

## Body Units

Operation/Function	Steady/ Flashing	
Power Supply	AC/DC 24V (±10%)	AC 90~240V 50/60 Hz (±10%)
Buzzer Sound Level	Fixed: 85dB Adjustable: 10~85dB	
Lens Color	Red, Yellow, Green, Blue & Clear	
Lens Diameter	56 mm (2.2 inch)	
Maximum Tier	5	
Flash Rate	80 times/ minute	
Vibration	3mm at 10~55Hz	
Ambient Temperature	-15°C~40°C	
Storage Temperature	-40°C ~ 70°C	
Ambient Humidity	45~85% RH	
Degree of Protection	NEMA 4x, IP65 / IP50 (with Buzzer)	
Approvals	CE , UL, RoHS	
Recommended Wire Size	1007 UL / 22 AWG	

## LED Modules

		Red	Yellow	Green	Blue	Clear
Current / Power	Standard Module	27mA / 0.65W		35mA / 0.84W		
	Dome Head Module	58mA / 2.64W		52mA / 1.25W		53mA / 1.27W
Weight		Standard Module: 42.8g Dome Head Module: 53g				

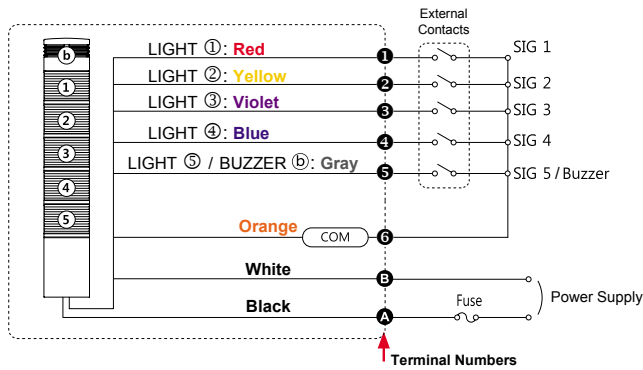
## Buzzer Kits

Model	MPZ-56F	MPG-56G
Style	Fixed Sound Level	Adjustable Sound Level
Sound Level	85 dB	10~85 dB
Current Consumption / Power	30mA / 0.72W	30mA / 0.72W
Weight	32.2g	33g

## Wiring Diagram

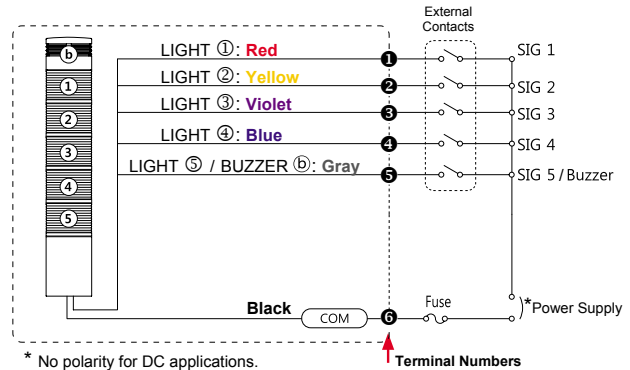
### AC 90~240V Steady Lights

PTE-A-FF PTE-S-FF PTE-T□-FF



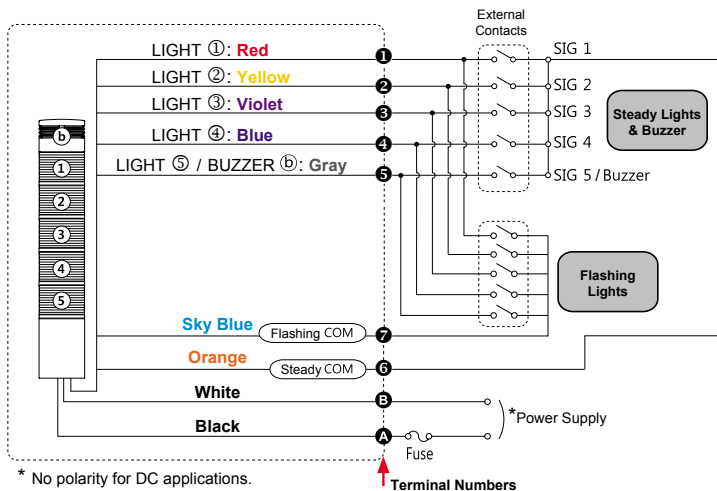
### DC/AC 24V Steady Lights

PTE-A-02 PTE-S-02 PTE-T□-02

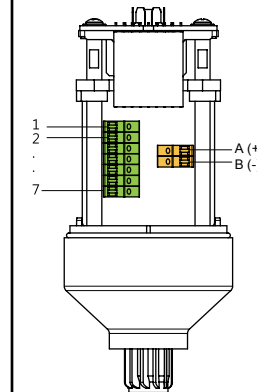


### AC 90~240V DC/AC 24V Steady & Flashing Lights

PTE-AF-02 PTE-AF-FF  
PTE-SF-02 PTE-SF-FF  
PTE-T□F-02 PTE-T□F-FF



## Terminal Connections



PIN #	Description
1	Light 1
2	Light 2
3	Light 3
4	Light 4
5	Light 5 or Buzzer
6	Steady COM
7	Flashing COM
A	Power Supply (+)
B	Power Supply (-)

# PTM Ø56mm LED 3 colors in 1 Steady & Flashing with Buzzer

## TOWER LIGHTS



- 3 colors in 1 LED modular components
- Bright & even light distribution through prism-cut lenses
- Fast & easy assembly with inter-locking construction
- 3 base body options
- Optional 85dB Buzzer (fixed or adjustable volume)
- NEMA 4x / IP65 rated
- RoHS compliant



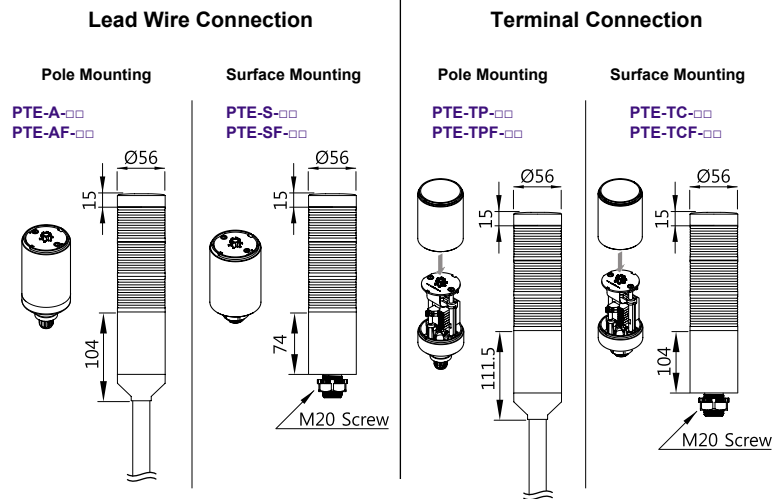
### Order Information

#### Body Units

Body Type		Voltage	Part Number	
			Steady	Steady & Flashing
Lead Wire Connection	Pole Mounting	AC 90~240V	PTE-A-FF	PTE-AF-FF
		DC/AC 24V	PTE-A-02	PTE-AF-02
	Surface Mounting	AC 90~240V	PTE-S-FF	PTE-SF-FF
		DC/AC 24V	PTE-S-02	PTE-SF-02
Terminal Connection	Pole Mounting	AC 90~240V	PTE-TP-FF	PTE-TPF-FF
		DC/AC 24V	PTE-TP-02	PTE-TPF-02
	Surface Mounting	AC 90~240V	PTE-TC-FF	PTE-TCF-FF
		DC/AC 24V	PTE-TC-02	PTE-TCF-02

### Dimensions

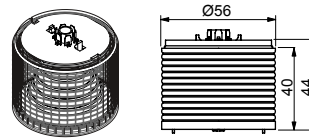
unit: mm



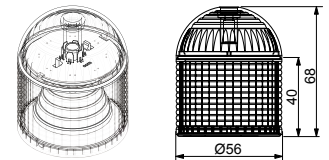
### LED Modules

LED Color		Part Number	
		Standard Module	Dome Head Module
3 colors in 1	R/Y/G	PTM-02RYG	PTMD-02RYG
	R/B/G	PTM-02RBG	PTMD-02RBG

### Standard Modules



### Dome Head Modules



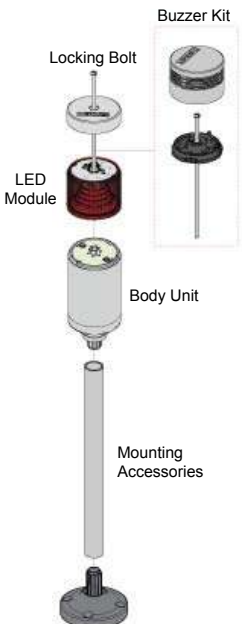
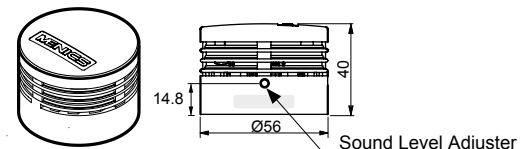
### Locking Bolts

Part Number	Size
B-PTE-1	M4, 65mm

### Buzzer Kits (Optional)

Buzzer Style	Part Number
Fixed Sound Level	MPZ-56F
Adjustable Sound Level	MPZ-56G

### Buzzer Kits



See Page 13-14 for Mounting Options and Accessories.

# Specifications

## Body Units

Operation/Function	Steady/ Flashing	
Power Supply	AC/DC 24V (±10%)	AC 90~240V 50/60 Hz (±10%)
Buzzer Sound Level	Fixed: 85dB Adjustable: 10~85dB	
Lens Color	3 colors in 1 module: Red/Yellow/Green, Red/Blue/Green	
Lens Diameter	56 mm (2.2 inch)	
Maximum Tier	2	
Flash Rate	80 times/ minute	
Vibration	3mm at 10~55Hz	
Ambient Temperature	-15°C~40°C	
Storage Temperature	-40°C ~ 70°C	
Ambient Humidity	45~85% RH	
Degree of Protection	NEMA 4x, IP65 / IP50 (with Buzzer)	
Approvals	CE , UL, RoHS	
Recommended Wire Size	1007 UL / 22 AWG	

## LED Modules

Color		3 colors in 1			
		R/Y/G		R/B/G	
Current / Power	Standard Module	R	30mA / 0.72W	R	30mA / 0.72W
		Y		G	
		G	25mA / 0.6W	B	25mA / 0.6W
	Dome Head Module	R	58mA / 2.64 W	R	58mA / 2.64 W
		Y		G	52mA / 1.25W
		G	52mA / 1.25W	B	
Weight		Standard Module: 42.8g		Dome Head Module: 53g	

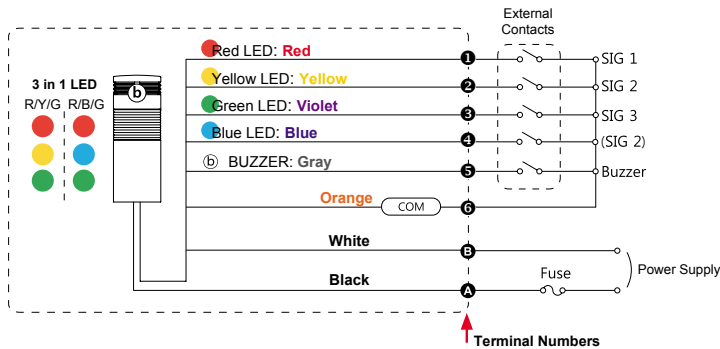
## Buzzer Kits

Model	MPZ-56F	MPG-56G
Style	Fixed Sound Level	Adjustable Sound Level
Sound Level	85 dB	10~85 dB
Current Consumption / Power	30mA / 0.72W	30mA / 0.72W
Weight	32.2g	33g

## Wiring Diagram

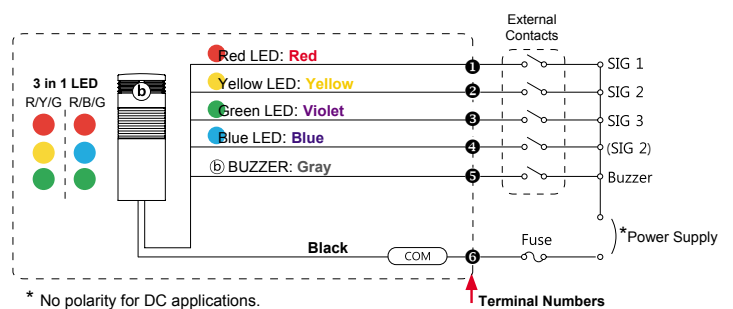
### AC 90~240V Steady Lights

PTE-A-FF PTE-S-FF PTE-T□-FF



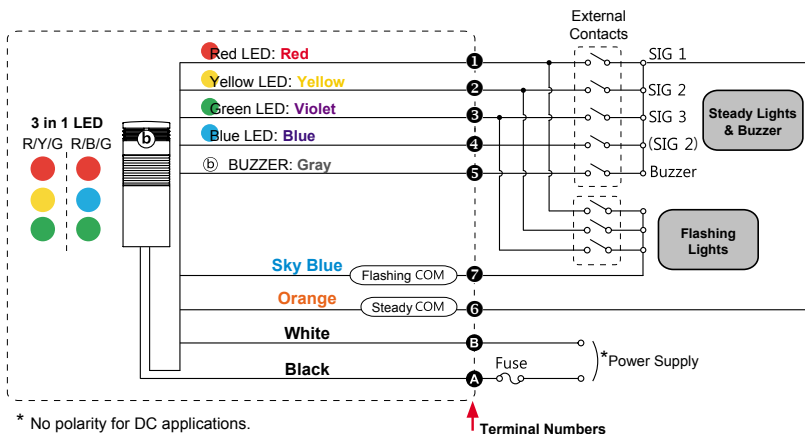
### DC/AC 24V Steady Lights

PTE-A-02 PTE-S-02 PTE-T□-02

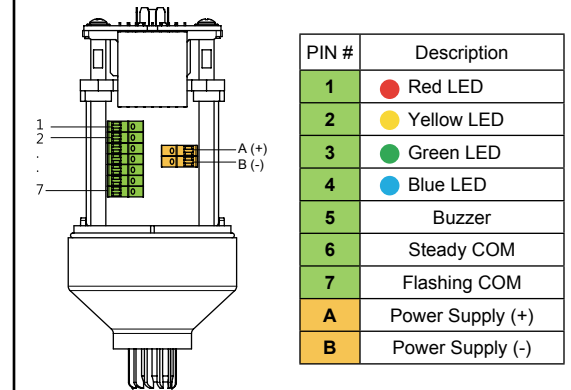


### AC 90~240V DC/AC 24V Steady & Flashing Lights

PTE-AF-02 PTE-AF-FF  
PTE-SF-02 PTE-SF-FF  
PTE-T□F-02 PTE-T□F-FF



## Terminal Connections



# PRE Ø56mm LED Steady & Flashing with Buzzer

## TOWER LIGHTS



- Long life and reliability
- Prism-cut lenses for even light distribution
- Surface, Pole or Wall Mounted (Order poles & bases separately)
- Wire leads
- Add-on Buzzer (80 dB) kit available



### Order Information

<b>PRE</b>	<b>F</b>	<b>5</b>	<b>01</b>	<b>RYGBC</b>
①	②	③	④	
<b>Light Style</b>	<b>F</b>		Steady	Steady & Flashing
<b>Number of Stacks</b>	<b>1</b>		1 Light	
	<b>2</b>		2 Lights	
	<b>3</b>		3 Lights	
	<b>4</b>		4 Lights	
	<b>5</b>		5 Lights	
<b>Power Supply</b>	<b>01</b>		DC/AC 12V	
	<b>02</b>		DC/AC 24V	
	<b>10</b>		AC 110V	
	<b>20</b>		AC 220V	
<b>Lens Colors (top to bottom)</b>	<b>R</b>		Red	
	<b>Y</b>		Yellow	
	<b>G</b>		Green	
	<b>B</b>		Blue	
	<b>C</b>		Clear	

### Optional Orders

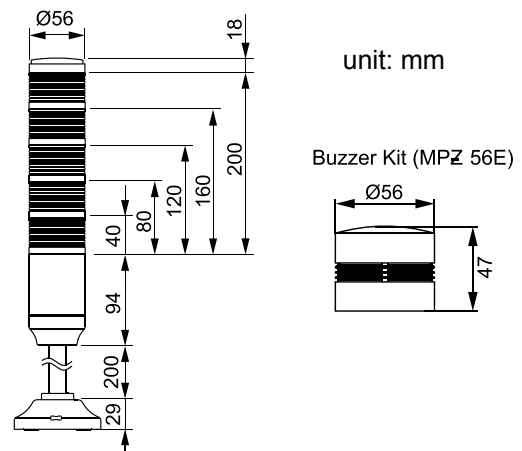
PART	PART NUMBER	DESCRIPTION
Buzzer	MPZ-56E	Ø56mm, 80dB (30mA), 24~240V DC/AC *Buzzer is not available for 12V DC/AC.

#### Replacement Parts

LED	PRELED-5(□)	24~240V AC/DC
	PRELED-5(□)-12	12V AC/DC
Lens	PEL-5(□)	—

(□): indicates color of LED or Lens; R, Y, G, B or C

### Dimensions



### Specifications

Power Supply	12V AC/DC	24V AC/DC	120/240V AC
Current Draw	1 Stack	54 mA	28 mA
	2 Stack	109 mA	62 mA
	3 Stack	169 mA	102 mA
	4 Stack	223 mA	136 mA
	5 Stack	275 mA	169 mA
	Buzzer	—	30 mA
Sound Level	—	80 dB	
Flashing rate	80 times/minute		
Rating	IP 56		

See Page 13-14  
for Mounting Options and Accessories.

# PME Ø45mm LED Steady & Flashing

## TOWER LIGHTS

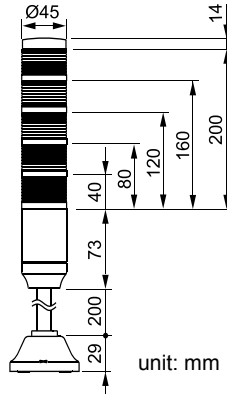


- Long life and reliability
- Prism-cut lenses for even light distribution
- Surface, Pole or Wall Mounted (Order poles & bases separately)
- Wire leads



### Specifications

Power Supply		12V AC/DC	24V AC/DC	100-220V AC
Current Draw	1 Stack	41 mA	27 mA	28 mA
	2 Stack	89 mA	57 mA	60 mA
	3 Stack	149 mA	95 mA	99 mA
	4 Stack	204 mA	125 mA	131 mA
	5 Stack	240 mA	155 mA	163 mA
Flashing rate		80 times/minute		
Rating		IP 56		



# PAE Ø25mm LED Steady & Flashing

## TOWER LIGHTS

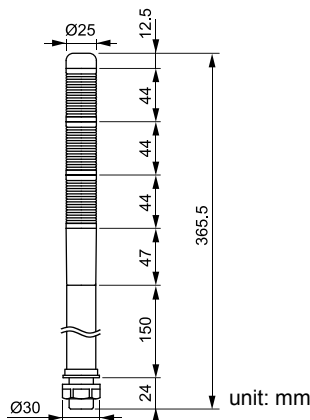


- Long life and reliability
- Prism-cut lenses for even light distribution
- Surface, Pole or Wall Mounted (Order poles & bases separately)
- Wire leads



### Specifications

Power Supply		12V AC/DC	24V AC/DC
Current Draw	1 Stack	30 mA	25 mA
	2 Stack	65 mA	60 mA
	3 Stack	100 mA	90 mA
	4 Stack	135 mA	120 mA
	5 Stack	170 mA	150 mA
Flashing rate		80 times/minute	
Rating		IP 56	



### Order Information

PME	F	5	01	RYGBC
①	②	③	④	
Light Style			Steady	
	F		Steady & Flashing	
Number of Stacks	1		1 Light	
	2		2 Lights	
	3		3 Lights	
	4		4 Lights	
	5		5 Lights	
Power Supply	01		DC/AC 12V	
	02		DC/AC 24V	
	FF		AC 90~240V	
Lens Colors (top to bottom)	R		Red	
	Y		Yellow	
	G		Green	
	B		Blue	
	C		Clear	

### Replacement Parts

LED	PMELED-4(□)	24~240V AC/DC
	PMELED-4(□)-12	12V AC/DC
Lens	PML-4(□)	—

(□): indicates color of LED or Lens; R, Y, G, B or C

See Page 13-14 for Mounting Options and Accessories.

### Order Information

PAE	F	M	G	5	01	RYGBC
①	②	③	④	⑤	⑥	
Light Style					Steady	
	F				Steady & Flashing	
Mounting					Standard	
	M				Pole Mount	
	R				90° Bracket	
Pole Length					No Pole	
	G				51mm pole	
	P				150mm pole	
Number of Stacks	1				1 Light	
	2				2 Lights	
	3				3 Lights	
	4				4 Lights	
	5				5 Lights	
Power Supply	01				DC/AC 12V	
	02				DC/AC 24V	
Lens Colors (top to bottom)	R				Red	
	Y				Yellow	
	G				Green	
	B				Blue	
	C				Clear	

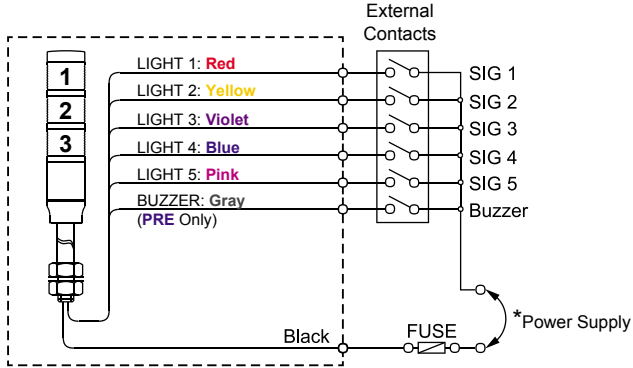


# PRE / PME / PAE Wiring Diagram

## Steady Lights

DC/AC 12V

PRE-01-00000  
PME-01-00000  
PAE-01-00000

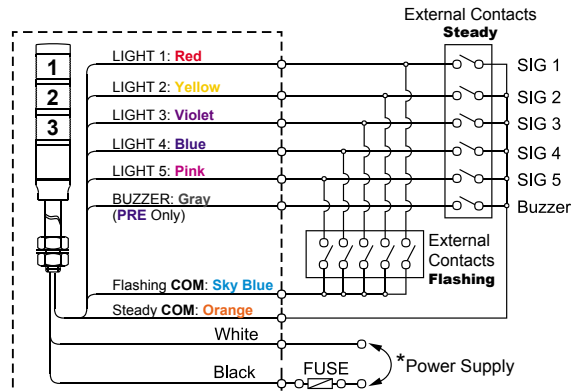


\* No polarity for DC applications.

## Steady & Flashing Lights

DC/AC 12V

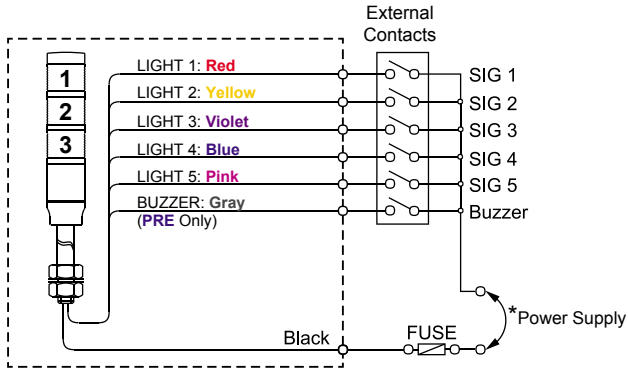
PREF-01-00000  
PMEF-01-00000  
PAEF-01-00000



\* No polarity for DC applications.

DC/AC 24V

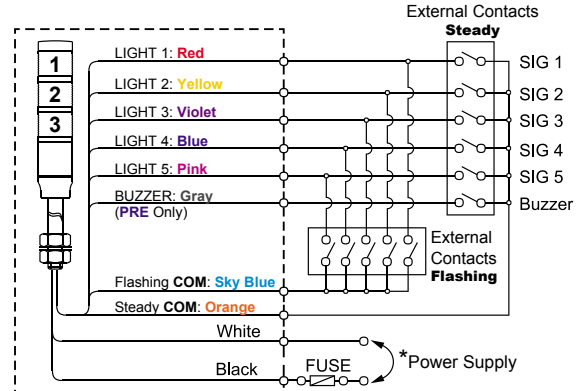
PRE-02-00000  
PME-02-00000  
PAE-02-00000



\* No polarity for DC applications.

DC/AC 24V

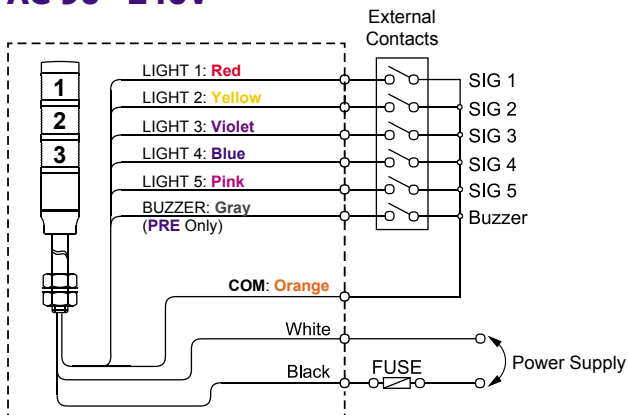
PREF-02-00000  
PMEF-02-00000  
PAEF-02-00000



\* No polarity for DC applications.

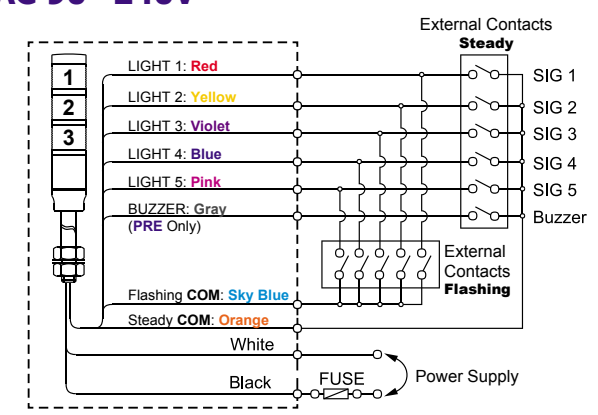
AC 110V  
AC 220V  
AC 90~240V

PRE-10-00000  
PRE-20-00000  
PME-FF-00000



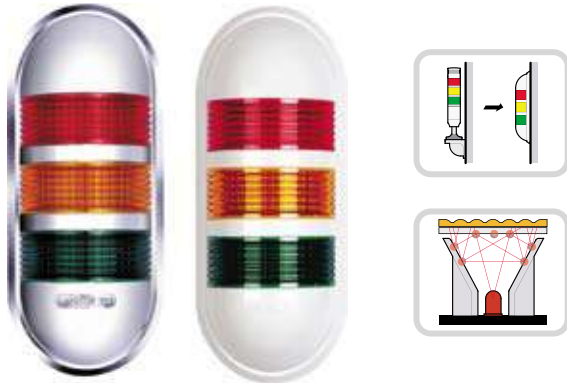
AC 110V  
AC 220V  
AC 90~240V

PREF-10-00000  
PREF-20-00000  
PMEF-FF-00000



# PWE Wall Mounted LED Tower Lights with Buzzer

## TOWER LIGHTS



- Slim Profile Wall Mount
- Easy Mounted vertically and horizontally
- Equivalent brightness in every angle
- Steady and flashing lights
- Vibration and moisture resistant
- Chrome or tan colored body

## Order Information

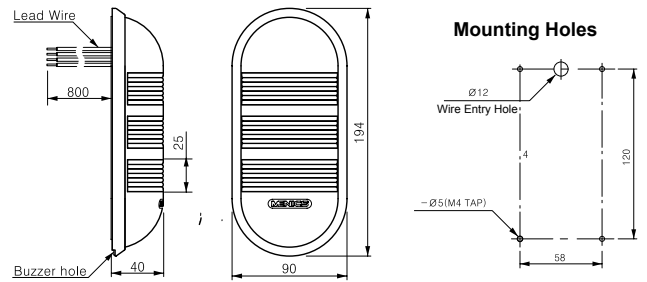
**PWE** **C** **F** - **3** **02** - **RYG**  
 ① ② ③ ④ ⑤

① Housing Color		Cream
	<b>C</b>	Chrome
② Light Style		Steady
	<b>F</b>	Steady & Flashing
	<b>B</b>	Steady with Buzzer
	<b>Z</b>	Steady & Flashing with Buzzer
③ Number of Stacks	<b>1</b>	1 Light
	<b>2</b>	2 Lights
	<b>3</b>	3 Lights
④ Power Supply	<b>02</b>	DC/AC 24V
	<b>FF</b>	AC 90~240V
⑤ Lens Colors (top to bottom)	<b>R</b>	Red
	<b>Y</b>	Yellow
	<b>G</b>	Green

## Specifications

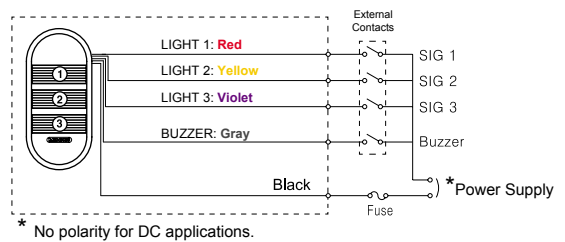
Power Supply		24V AC/DC	90~240V AC
Current Draw	1 Stack	28 mA	30 mA
	2 Stack	63 mA	65 mA
	3 Stack	103 mA	100 mA
Sound Level		85 dB	
Flashing rate		80 times/minute	
Rating		IP 65/ IP 56 with Buzzer	

## Dimensions

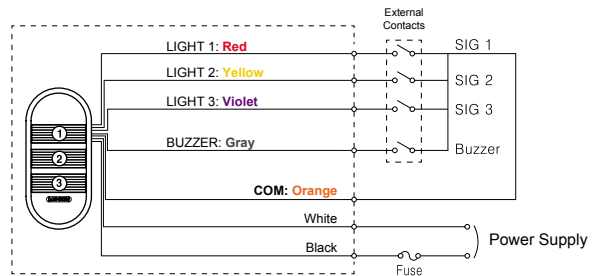


## Wiring Diagram

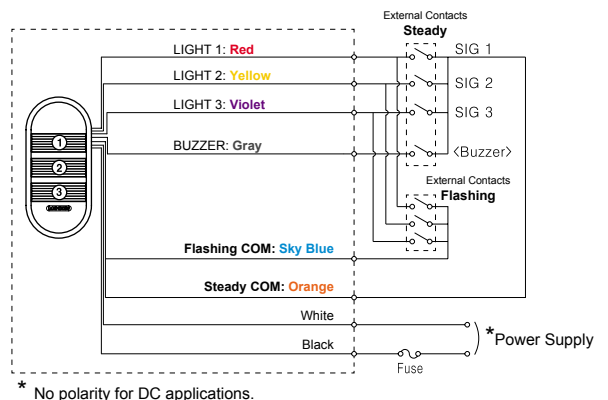
**DC/AC 24V**  
**Steady Lights (with Buzzer)** PWE-□02-□□□ PWEB-□02-□□□



**AC 90~240V**  
**Steady Lights (with Buzzer)** PWE-□FF-□□□ PWEB-□FF-□□□



**AC 90~240V**  
**DC/AC 24V**  
**Steady & Flashing Lights (with Buzzer)** PWEF-□02-□□□ PWEZ-□02-□□□ PWEF-□FF-□□□



# MT5C/8C Ø56mm / Ø85mm Steady & Flashing with Buzzer

## TOWER LIGHTS



### Incandescent or LED

- Optional LED bulbs available
- Selectable Steady or Flashing Modes
- Prism-cut lenses for even light distribution
- Surface, Pole or Wall Mounted (Order poles & bases separately)
- Wire leads or Terminal connection
- Add-on Buzzer (80 dB) kit available
- NEMA 12, 3R / IP56 rated



### Order Information

**MT 5 C 5 A L - RYGBC**  
 ① ② ③ ④ ⑤ ⑥

① Lens Diameter	5	Ø56mm
	8	Ø85mm
② Light Style	C	Steady & Flashing
③ Number of Stacks	1	1 Light
	2	2 Lights
	3	3 Lights
	4	4 Lights
	5	5 Lights
④ Power Supply	A	DC/AC 24V
	B	AC 110~120V
	C	AC 220~240V
⑤ Connection	L	Lead Wires
	T	Screw Terminals
⑥ Lens Colors (top to bottom)	R	Red
	Y	Yellow
	G	Green
	B	Blue
	C	Clear

### Optional Orders

#### Buzzer Kits

MPZ - 56 A

Power Supply	
A	DC/AC 24V, 80dB (30mA)
B	AC 110~120V, 80dB (30mA)
C	AC 220~240V, 80dB (30mA)
Buzzer Size (Diameter)	
56	Ø56mm (for MT5C Series)
85	Ø85mm (for MT8C Series)

#### Replacement Parts

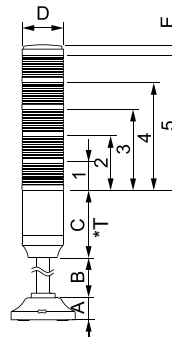
LED		LED-T15-D-24-(□)	DC 24V
		LED-T15-D-110-(□)	AC 110~120V
		LED-T15-D-220-(□)	AC 220~240V
BULB		MAB-T15-D-024-10	DC/AC 24V, 10W
		MAB-T15-D-120-10	AC 110~120V, 10W
		MAB-T15-D-240-10	AC 220~240V, 10W
Lens	-	MAL-5(□)	Ø56mm
		MAL-8(□)	Ø85mm

(□): indicates color of LED or Lens; R, Y, G, B or C

### Specifications

Power Supply		24V AC/DC	110~120V AC	220~240V AC	
Current Draw	Bulb	1 Stack	54 mA	28 mA	25 mA
		2 Stack	109 mA	62 mA	57 mA
		3 Stack	169 mA	102 mA	91 mA
		4 Stack	223 mA	136 mA	124 mA
		5 Stack	275 mA	169 mA	155 mA
	LED	Per Stack	180 mA	35 mA	28 mA
Buzzer		30 mA			
LED Life-Span		10,000 hours (minimum)			
Sound Level		80 dB			
Flashing rate		80 times/minute			
Rating		NEMA 12, 3R / IP 56			
Approvals		UL, cUL, CE			

### Dimensions



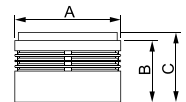
Symbol	Model	
	MT5C	MT8C
A	29	29
B	185	185
C	95	108
*T	173	188
D	56	85
E	15	15
1	68	68
2	136	136
3	204	204
4	272	272
5	340	340

\*T: Terminal board style

unit: mm

#### Buzzer Kit

MPZ-56  
MPZ-85



Symbol	MPZ-56	MPZ-85
A	56	86
B	48	50
C	54	56

See Page 13-14  
for Mounting Options and Accessories

# MT4B/5B/8B Ø45mm / Ø56mm / Ø86mm Steady

## TOWER LIGHTS



### Incandescent or LED

- Optional LED bulbs available (12VDC & 24VDC ONLY)
- Long life and reliability
- Prism-cut lenses for even light distribution
- Surface, Pole or Wall Mounted  
(Order poles & bases separately)
- Wire leads or Terminal connection
- NEMA 12, 3R / IP56 rated



### Order Information

MT	4	B	5	A	L	-	RYGBC
	①	②	③	④	⑤		⑥
<b>① Lens Diameter</b>	4	5	8	Ø45mm	Ø56mm	Ø85mm	
<b>② Light Style</b>	B	Steady					
<b>③ Number of Stacks</b>	1	1 Light					
	2	2 Lights					
	3	3 Lights					
	4	4 Lights					
	5	5 Lights					
<b>④ Power Supply</b>	D	DC/AC 12V					
	A	DC/AC 24V					
	B	AC 110~120V					
	C	AC 220~240V					
<b>⑤ Connection</b>	L	Lead Wires					
<b>⑥ Lens Colors (top to bottom)</b>	R	Red					
	Y	Yellow					
	G	Green					
	B	Blue					
	C	Clear					

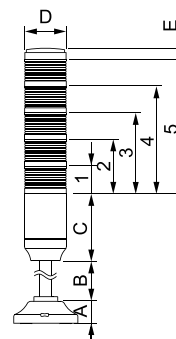
### Optional Orders

#### Replacement Parts

Part	LED	BULB	LED	BULB	LED	BULB
MT4B	LED		LED-T09-S-12-(□)	DC 12V	LED-T09-S-24-(□)	DC 24V
	BULB		MAB-T09-S-012-05	DC/AC 12V, 5W	MAB-T09-S-024-05	DC/AC 24V, 5W
		MAB-T09-S-130-05	AC 110~120V, 5W	MAB-T09-S-240-05	AC 220~240V, 5W	
		Lens	—	MAL-4-(□)	Ø45mm	
		MT5B MT8B	LED		LED-T15-D-12-(□)	DC 12V
BULB			MAB-T15-D-110-(□)	AC 110~120V	MAB-T15-D-220-(□)	AC 220~240V
	MAB-T15-D-012-10		DC/AC 12V, 10W	MAB-T15-D-024-10	DC/AC 24V, 10W	
	MAB-T15-D-120-10		AC 110~120V, 10W	MAB-T15-D-240-10	AC 220~240V, 10W	
	Lens		—	MAL-5-(□)	Ø56mm	MAL-8-(□)

(□): indicates color of LED or Lens; R, Y, G, B or C

### Dimensions



unit: mm

Symbol	Model		
	MT4B	MT5B	MT8B
A	29	29	29
B	185	185	185
C	72	95	108
D	45	56	86
E	10.5	15	15
1	46	68	68
2	92	136	136
3	138	204	204
4	184	272	272
5	230	340	340

### Specifications

Power Supply		12V AC/DC	24V AC/DC	100-220V AC
Current Draw	1 Stack	41 mA	27 mA	28 mA
	2 Stack	89 mA	57 mA	60 mA
	3 Stack	149 mA	95 mA	99 mA
	4 Stack	204 mA	125 mA	131 mA
	5 Stack	240 mA	155 mA	163 mA
Flashing rate		80 times/minute		
Rating		IP 56		

See Page 13-14  
for Mounting Options and Accessories

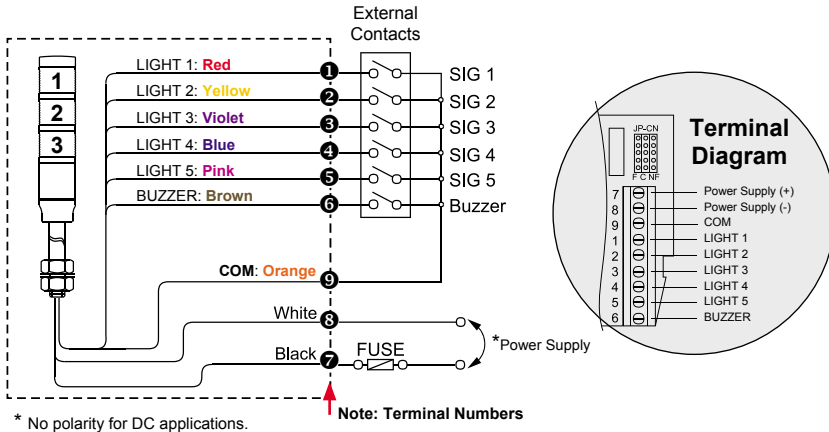
# MT5C/8C & MT4B/5B/8B Wiring Diagram

## MT5C/8C

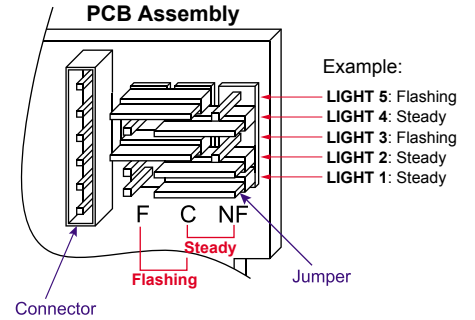
### DC/AC 24V

#### Steady or Flashing (with Buzzer)

MT5C□AL-□□□□ MT8C□AL-□□□□  
 MT5C□AT-□□□□ MT8C□AT-□□□□



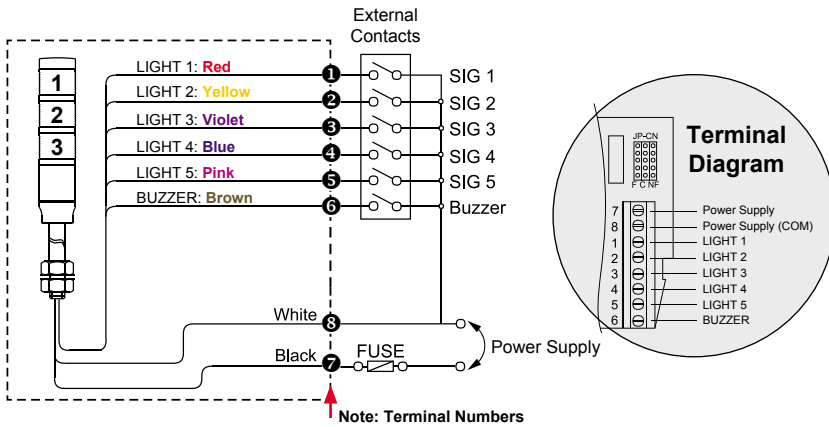
### Steady/Flashing Selection



### AC 110~120V AC 220~240V

#### Steady or Flashing Lights (with Buzzer)

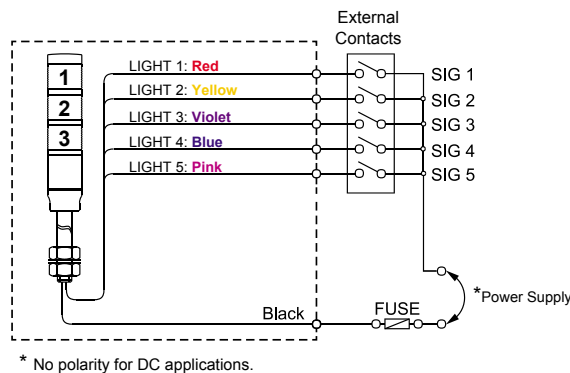
MT5C□BL-□□□□ MT8C□BL-□□□□  
 MT5C□BT-□□□□ MT8C□BT-□□□□  
 MT5C□CL-□□□□ MT8C□CL-□□□□  
 MT5C□CT-□□□□ MT8C□CT-□□□□



## MT4B/5B/8B

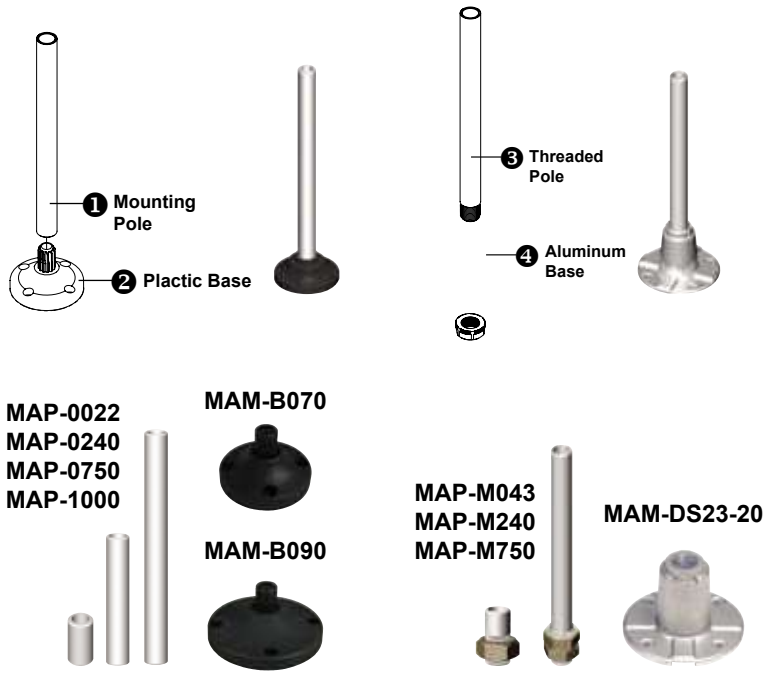
### AC/DC 12V AC 110~120V AC/DC 24V AC 220~240V

#### Steady Lights



**Pole Mounting with Base**

Part	Part #	Description
<b>1</b>	<b>MAP-0022</b>	Ø20mm, 0.87 in (22 mm) pole
	<b>MAP-0240</b>	Ø20mm, 9.45 in (240 mm) pole
	<b>MAP-0750</b>	Ø20mm, 29.53 in (750 mm) pole
	<b>MAP-1000</b>	Ø20mm, 39.37 in (1000 mm) pole
<b>2</b>	<b>MAM-B070</b>	Ø70mm Plastic Base
	<b>MAM-B090</b>	Ø90mm Plastic Base
<b>3</b>	<b>MAP-M043</b>	Ø20mm, 1.69 in (43 mm) threaded pole with 1 nut
	<b>MAP-M240</b>	Ø20mm, 9.45 in (240 mm) threaded pole with 2 nuts
	<b>MAP-M750</b>	Ø20mm, 29.53 in (750 mm) threaded pole with 1 nut
<b>4</b>	<b>MAM-DS23-20</b>	Aluminum Base



**L-angle Mounting with Bracket**

Part	Part #	Description
<b>3</b>	<b>MAP-M043</b>	Ø20mm, 1.69 in (43 mm) threaded pole with 1 nut
	<b>MAP-M240</b>	Ø20mm, 9.45 in (240 mm) threaded pole with 2 nuts
	<b>MAP-M750</b>	Ø20mm, 29.53 in (750 mm) threaded pole with 1 nut
<b>5</b>	<b>MAM-DS25</b>	L-angle Bracket



**Wall Mounting with Bracket**

Part	Part #	Description
<b>1</b>	<b>MAP-0022</b>	Ø20mm, 0.87 in (22 mm) pole
	<b>MAP-0240</b>	Ø20mm, 9.45 in (240 mm) pole
	<b>MAP-0750</b>	Ø20mm, 29.53 in (750 mm) pole
	<b>MAP-1000</b>	Ø20mm, 39.37 in (1000 mm) pole
<b>2</b>	<b>MAM-B070</b>	Plastic Base
<b>6</b>	<b>MAM-DS30-BLK</b>	Plastic Wall Mounting Bracket, Black (Pole & Base required)
	<b>MAM-DS30-BGE</b>	Plastic Wall Mounting Bracket, Beige (Pole & Base required)
	<b>MAM-DS40-BLK</b>	Plastic Wall Mounting Bracket, Black (Pole required)
	<b>MAM-DS40-BGE</b>	Plastic Wall Mounting Bracket, Beige (Pole required)
	<b>MAM-DS28</b>	Metal Wall Mounting Bracket (Pole & Base required)



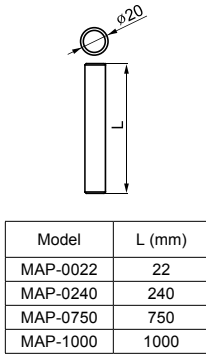
**NPT Mounting with NPT Adaptor**



# Accessories

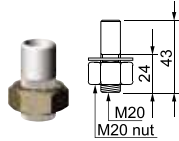
## Mounting Poles

MAP-0022  
MAP-0240  
MAP-0750  
MAP-1000

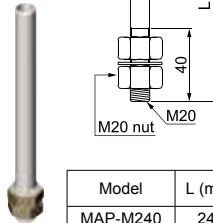


## Threaded Poles

MAP-M043



MAP-M240  
MAP-M750



Model	L (mm)
MAP-M240	240
MAP-M750	750

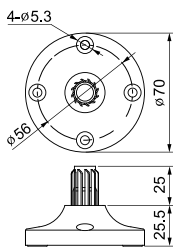
## NPT Adaptor

MAP-NPT1/2

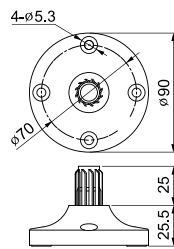


## Mounting Bases

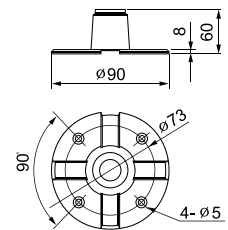
MAM-B070



MAM-B090

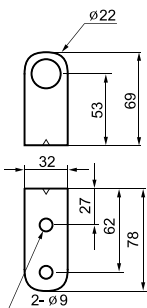


MAM-DS23-20

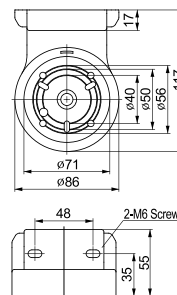


## Wall Mount Brackets

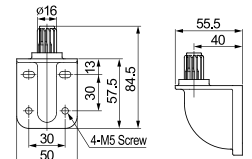
MAM-DS25



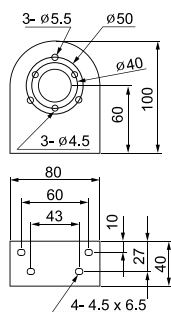
MAM-DS30



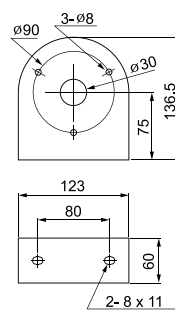
MAM-DS40



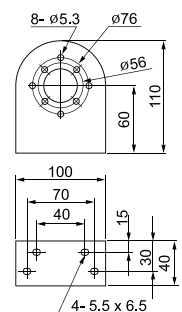
MAM-DS26



MAM-DS27



MAM-DS28



# MS86 Ø86mm LED Steady & Flashing / Xenon Strobe Lights

## SIGNAL LIGHTS



- Ultra bright LED or Xenon lights
- Wide light distribution with prism-cut dome-shaped lens
- Outstanding visibility at distance
- Selectable Steady or Flashing Modes for LED lights
- PCB module style Xenon lamp
- Fast and easy replacement of lamp
- Red, Yellow, Green, Blue and lens available
- IP65 rated



### Order Information

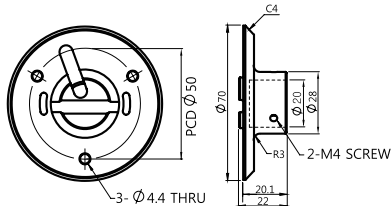
<b>MS86</b>	<b>L-F</b>	<b>02</b>	<b>-</b>	<b>R</b>
Lens Colors				
<b>R</b>	Red			
<b>Y</b>	Yellow			
<b>G</b>	Green			
<b>B</b>	Blue			
<b>C</b>	Clear			
Power Supply				
<b>02</b>	AC/DC 12~24V (AC/DC 24V for LED Style)			
<b>10</b>	AC 110V			
Light Style				
<b>L-F</b>	LED Steady & Flashing			
<b>L-B</b>	LED Steady & Flashing with Buzzer			
<b>S-SD</b>	Xenon Strobe			

### Optional Orders

#### Pole Mount Adaptor



MAM-DS31



Pole Mounting Example

#### Wall Mount Brackets



MAM-DS30-BLK (Black)  
MAM-DS30-BGE (Beige)



MAM-DS26

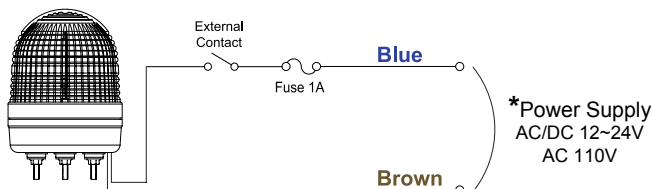
**NOTE:** See Page 13 & 14 for Mounting Options and Dimensions.

#### Replacement Parts

Xenon PCB Module	<b>MS86S-LAMP-02</b>	AC/DC 12~24V
	<b>MS86S-LAMP-10</b>	AC 110V
Lens	<b>LENS-MS86-(□)</b>	Dome Lens

(□): indicates color of Lens; R, Y, G, B or C

### Wiring Diagram

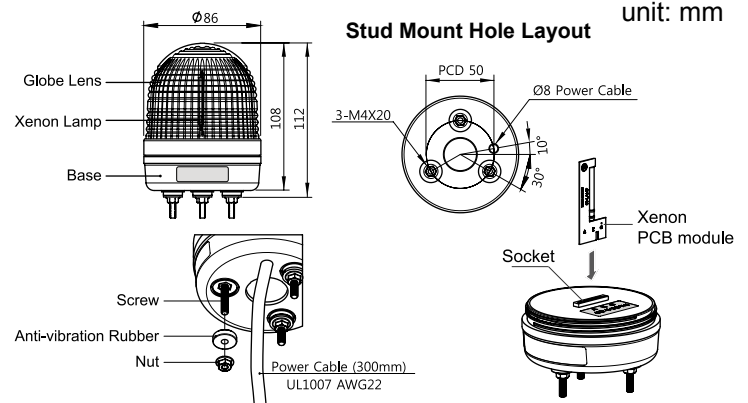


\* No polarity for DC applications.

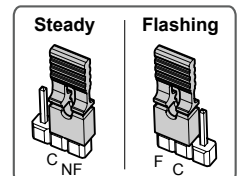
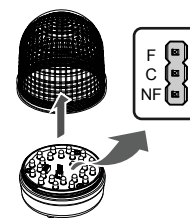
### Specifications

Model	MS86L		MS86S	
Style	LED Steady/Flashing		Xenon Strobe	
Power Supply	AC/DC 24V	AC 110V	AC/DC 12-24V	AC 110V
Current Consumption	Red 120mA Yellow 120mA Green 140mA Blue 140mA Clear 140mA		200mA max. dash current: 600mA	220mA 6W
Flash (Strobe Pulse) Rate	80 time/minute ± 3%		60 times/minute ± 3%	
Sound Level	max. 85dB at 1m		—	
Dielectric Strength	500VAC for 1 min.			
Vibration	15~55 Hz; xyz/60min (70m/s <sup>2</sup> , 7G)			
Insulation Resistance	1MΩ (at 500VDC mega)			
Ambient Temperature	-30~40°C		-20~70°C	
Storage Temperature	-25~85°C			
Ambient Humidity	45~85% RH			
Degree of Protection	IP65 (IP52 with Buzzer)		IP65	
Recommended Wire Size	PUR Ø5/PVC Ø5 2P/0.3SQ			
Weight	0.3kg ± 5%			

### Dimensions



### LED Light Steady/Flashing Selection





# ML Ø66mm Rotating/Flashing/Strobe Beacons



## SIGNAL LIGHTS



- Incandescent or Xenon type
- Red, Yellow, Green and Blue lens available
- Smooth or Prism lens
- Stud or Pole mounted
- Wide range of power supply

### Order Information

<b>ML</b>	<b>G</b>	<b>F</b>	<b>-</b>	<b>012</b>	<b>-</b>	<b>R</b>										
<table border="1"> <thead> <tr> <th colspan="2">Lens Colors</th> </tr> </thead> <tbody> <tr> <td><b>R</b></td> <td>Red</td> </tr> <tr> <td><b>Y</b></td> <td>Yellow</td> </tr> <tr> <td><b>G</b></td> <td>Green</td> </tr> <tr> <td><b>B</b></td> <td>Blue</td> </tr> </tbody> </table>							Lens Colors		<b>R</b>	Red	<b>Y</b>	Yellow	<b>G</b>	Green	<b>B</b>	Blue
Lens Colors																
<b>R</b>	Red															
<b>Y</b>	Yellow															
<b>G</b>	Green															
<b>B</b>	Blue															
<table border="1"> <thead> <tr> <th colspan="2">Power Supply</th> </tr> </thead> <tbody> <tr> <td><b>012</b></td> <td>DC 12V</td> </tr> <tr> <td><b>024</b></td> <td>DC 24V</td> </tr> <tr> <td><b>110</b></td> <td>AC 110V</td> </tr> <tr> <td><b>220</b></td> <td>AC 220V</td> </tr> </tbody> </table>							Power Supply		<b>012</b>	DC 12V	<b>024</b>	DC 24V	<b>110</b>	AC 110V	<b>220</b>	AC 220V
Power Supply																
<b>012</b>	DC 12V															
<b>024</b>	DC 24V															
<b>110</b>	AC 110V															
<b>220</b>	AC 220V															
<table border="1"> <thead> <tr> <th colspan="2">Light Style</th> </tr> </thead> <tbody> <tr> <td></td> <td>Rotating Light</td> </tr> <tr> <td><b>F</b></td> <td>Flashing Light</td> </tr> <tr> <td><b>S</b></td> <td>Strobe Light with Xenon Bulb</td> </tr> </tbody> </table>							Light Style			Rotating Light	<b>F</b>	Flashing Light	<b>S</b>	Strobe Light with Xenon Bulb		
Light Style																
	Rotating Light															
<b>F</b>	Flashing Light															
<b>S</b>	Strobe Light with Xenon Bulb															
<table border="1"> <thead> <tr> <th colspan="2">Mounting</th> </tr> </thead> <tbody> <tr> <td><b>G</b></td> <td>Stud Mount</td> </tr> <tr> <td><b>P</b></td> <td>Pole Mount</td> </tr> </tbody> </table>							Mounting		<b>G</b>	Stud Mount	<b>P</b>	Pole Mount				
Mounting																
<b>G</b>	Stud Mount															
<b>P</b>	Pole Mount															

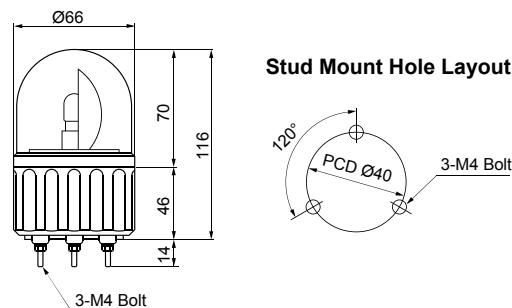
AC 110 or 220V Only ▶

### Specifications

Model	MLG/MLP	MLGF/MLPF	MLGS/MLPS
Bulb Type	Incandescent		Xenon
Power Supply	12VDC, 24VDC, 110VAC, 220VAC		110VAC, 220VAC
Current Draw & Wattage	12VDC	0.7A, 8W	—
	24VDC	0.3A, 8W	—
	110VAC	0.7A, 8W	0.22A, 6W
	220VAC	0.03A, 8W	0.11A, 6W
Rotation Rate	130 times/minute	—	
Flashing rate	—	80 times/minute	

### Dimensions

unit: mm



### Optional Orders

#### Replacement Parts

Bulb	Part Number	Specifications
Incandescent	MAB-T15-S-012-08	12V DC, 8 Watt
	MAB-T15-S-024-08	24V DC, 8 Watt
	MAB-T15-S-130-08	110V AC, 8 Watt
	MAB-T15-S-240-08	220V AC, 8 Watt
Xenon Bulb	MAB-STROBE-110-06	110/220V AC, 6 Watt
Lens	LENS-MLG-(□)	Smooth Lens for Rotating Lights
	LENS-MLGF/S-(□)	Prism Lens for Flashing/Strobe Lights

(□): indicates color of Lens; R, Y, G or B

#### Wall Mount Brackets



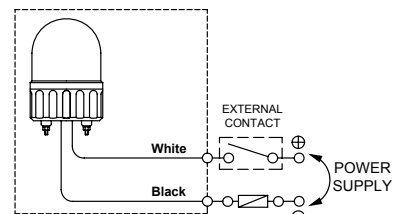
MAM-DS30-BLK (Black)  
MAM-DS30-BGE (Beige)

**NOTE:** See Page 14 for Dimensions.

### Wiring Diagram

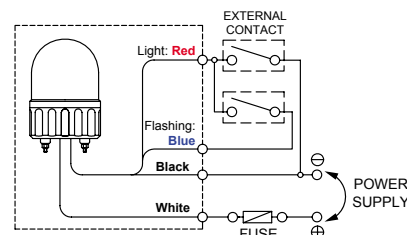
#### Rotating & Strobe Lights

MLG-□□□□ MLGS-□□□□  
MLP-□□□□ MLPS-□□□□



#### Flashing Lights

MLGF-□□□□ MLPF-□□□□



# ASG Ø86mm Rotating/Flashing/Strobe Beacons with Buzzer

## SIGNAL LIGHTS



- Incandescent or Xenon type
- Red, Yellow, Green and Blue lens available
- Smooth lens
- Stud mounted
- Optional Wall Mounting Brackets available
- Wide range of power supply

### Order Information

**ASG** **B** - **012** - **R**

Lens Colors	
<b>R</b>	Red
<b>Y</b>	Yellow
<b>G</b>	Green
<b>B</b>	Blue

Power Supply	
<b>012</b>	DC 12V
<b>024</b>	DC 24V
<b>110&amp;220</b>	AC 110/220V
<b>110</b>	AC 110V
<b>220</b>	AC 220V

Strobe Light Only [

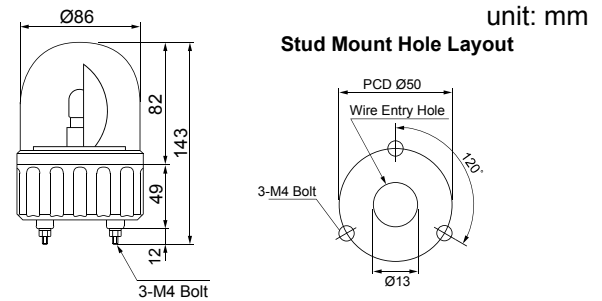
Light Style	
	Rotating Light
<b>B</b>	Rotating Light with Buzzer
<b>F</b>	Flashing Light
<b>S</b>	Strobe Light with Xenon Bulb

AC 110 or 220V Only ▶

### Specifications

Model	ASG/ASGB	ASGF	ASGS
Bulb Type	Incandescent		Xenon
Power Supply	12VDC, 24VDC, 110/220VAC		110VAC, 220VAC
Current Draw & Wattage	12VDC	0.7A, 8W	—
	24VDC	0.3A, 8W	—
	110/220VAC	0.03A, 5W	—
	110VAC	—	0.22A, 6W
	220VAC	—	0.11A, 6W
Sound Level	80 dB	—	
Rotation Rate	130 times/minute	—	
Flashing rate	—	80 times/minute	

### Dimensions



### Optional Orders

#### Replacement Parts

Bulb	MAB-T15-S-012-08	12V DC, 8 Watt
	MAB-T15-S-024-08	24V DC, 8 Watt
	MAB-T15-S-012-05	110/220V AC, 5 Watt
Xenon Bulb	MAB-STROBE-110-06	110/220V AC, 6 Watt
Lens	LENS-ASG-(□)	Smooth Lens for Rotating Lights
	LENS-ASGF-(□)	Smooth Lens for Flashing/Strobe Lights

(□): indicates color of Lens; R, Y, G or B

#### Wall Mount Brackets



MAM-DS30-BLK (Black)  
MAM-DS30-BGE (Beige)



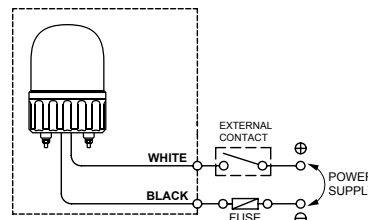
MAM-DS26

**NOTE:** See Page 14 for Dimensions.

### Wiring Diagram

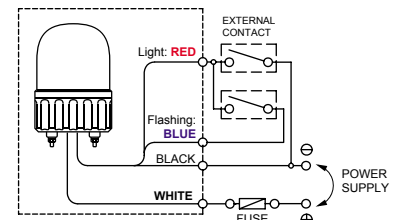
#### DC Rotating Lights

ASG-012-□ ASGB-012-□  
ASG-024-□ ASGB-024-□



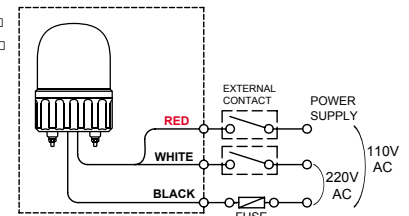
#### DC & AC Flashing Lights

ASGF-012-□ ASGF-110&220-□  
ASGF-024-□



#### AC Rotating & Strobe Lights

ASG-110&220-□ ASGS-110-□  
ASGB-110&220-□ ASGS-220-□



# AVG Ø135mm Rotating Beacons with Buzzer



## SIGNAL LIGHTS



- Incandescent type
- Red, Yellow, Green and Blue lens available
- Smooth lens
- Large rotating reflector
- Long life
- Stud mounted
- Optional Wall Mounting Bracket (MAM-DS27) available
- Buzzer (80dB) model available

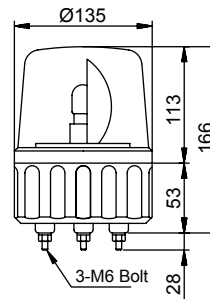
### Order Information

<b>AVG</b>	<b>B</b>	-	<b>012</b>	-	<b>R</b>										
<table border="1"> <thead> <tr> <th colspan="2">Lens Colors</th> </tr> </thead> <tbody> <tr> <td><b>R</b></td> <td>Red</td> </tr> <tr> <td><b>Y</b></td> <td>Yellow</td> </tr> <tr> <td><b>G</b></td> <td>Green</td> </tr> <tr> <td><b>B</b></td> <td>Blue</td> </tr> </tbody> </table>						Lens Colors		<b>R</b>	Red	<b>Y</b>	Yellow	<b>G</b>	Green	<b>B</b>	Blue
Lens Colors															
<b>R</b>	Red														
<b>Y</b>	Yellow														
<b>G</b>	Green														
<b>B</b>	Blue														
<table border="1"> <thead> <tr> <th colspan="2">Power Supply</th> </tr> </thead> <tbody> <tr> <td><b>01</b></td> <td>DC 12V</td> </tr> <tr> <td><b>02</b></td> <td>DC 24V</td> </tr> <tr> <td><b>10</b></td> <td>AC 110V</td> </tr> <tr> <td><b>20</b></td> <td>AC 220V</td> </tr> </tbody> </table>						Power Supply		<b>01</b>	DC 12V	<b>02</b>	DC 24V	<b>10</b>	AC 110V	<b>20</b>	AC 220V
Power Supply															
<b>01</b>	DC 12V														
<b>02</b>	DC 24V														
<b>10</b>	AC 110V														
<b>20</b>	AC 220V														
<table border="1"> <thead> <tr> <th colspan="2">Light Style</th> </tr> </thead> <tbody> <tr> <td></td> <td>Rotating Light</td> </tr> <tr> <td><b>B</b></td> <td>Rotating Light with Buzzer</td> </tr> </tbody> </table>						Light Style			Rotating Light	<b>B</b>	Rotating Light with Buzzer				
Light Style															
	Rotating Light														
<b>B</b>	Rotating Light with Buzzer														

### Specifications

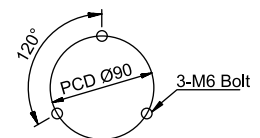
Model	AVG	AVGB
Bulb Type	Incandescent	
Power Supply	12VDC, 24VDC, 110VAC, 220VAC	
Current Draw & Wattage	12VDC	2.08A, 25W
	24VDC	1.04A, 25W
	110VAC	0.22A, 25W
	220VAC	0.11A, 25W
Sound Level	—	80 dB
Rotation Rate	150 times/minute	

### Dimensions



unit: mm

#### Stud Mount Hole Layout



### Optional Orders

#### Replacement Parts

Part	Part Number	Specifications
Bulb	MAB-T15-D-012-25	12V DC, 25 Watt
	MAB-T15-D-024-25	24V DC, 25 Watt
	MAB-T15-D-130-25	110V AC, 25 Watt
	MAB-T15-D-240-25	220V AC, 25 Watt
Lens	LENS-AVG-(□)	Smooth Lens for Rotating Lights

(□): indicates color of Lens; R, Y, G or B

#### Wall Mount Brackets



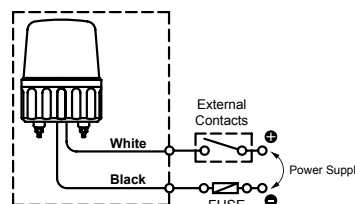
MAM-DS27

**NOTE:** See Page 14 for Dimensions.

### Wiring Diagram

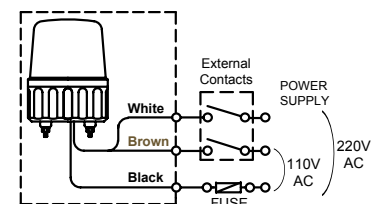
#### DC 12V & DC 24V

AVG-01-□ AVGB-01-□  
AVG-02-□ AVGB-02-□



#### AC 110V & AC 220V

AVG-10-□ AVGB-10-□  
AVG-20-□ AVGB-20-□



### SIGNAL LIGHTS



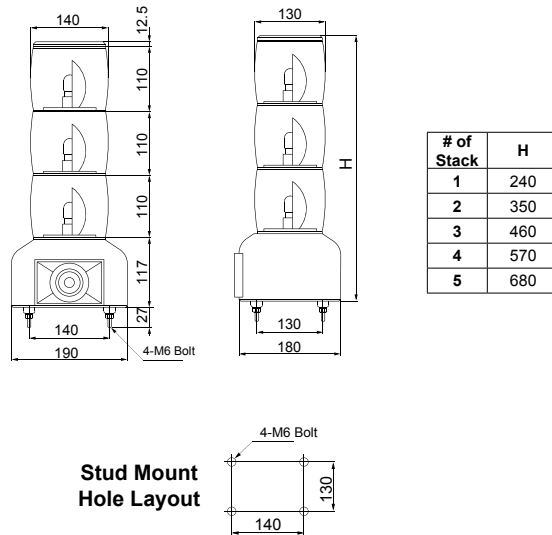
- Incandescent type
- Outstanding visibility by magnified lens
- Red, Yellow, Green, Blue or Clear lens available
- Large rotating reflector
- Selectable audio sounds: melody, two tone and siren (100dB)
- Stud mounted

### Specifications

Model		MSGGS
Bulb Type		Incandescent
Power Supply		12VDC, 24VDC, 110VAC, 220VAC
Current Draw & Wattage	12VDC	2.08A, 25W
	24VDC	1.04A, 25W
	110VAC	2.08A, 25W
	220VAC	2.08A, 25W
Rotation Rate		150 times/minute

### Dimensions

unit: mm



### Order Information

**MSGGS - 012 - 5 - RYGB C**

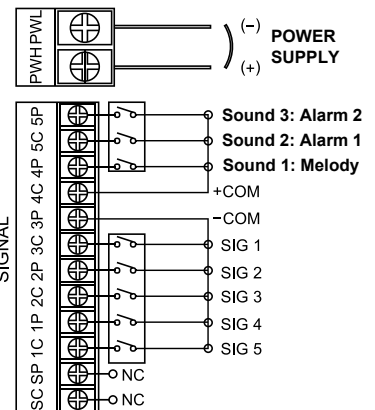
Lens Colors (top to bottom)	
<b>R</b>	Red
<b>Y</b>	Yellow
<b>G</b>	Green
<b>B</b>	Blue
<b>C</b>	Clear

Number of Stacks	
<b>1</b>	1 Light
<b>2</b>	2 Lights
<b>3</b>	3 Lights
<b>4</b>	4 Lights
<b>5</b>	5 Lights

Power Supply	
<b>012</b>	DC 12V
<b>024</b>	DC 24V
<b>110</b>	AC 110V
<b>220</b>	AC 220V

### Wiring Diagram

#### Terminal Connections



### Optional Orders

#### Replacement Parts

Part	Part Number	Specifications
Bulb	MAB-T15-D-012-25	12V DC, 25 Watt
	MAB-T15-D-024-25	24V DC, 25 Watt
	MAB-T15-D-130-25	110V AC, 25 Watt
	MAB-T15-D-240-25	220V AC, 25 Watt
Lens	LENS-MSGGS-(□)	Lens

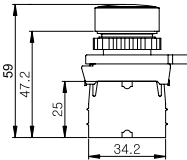
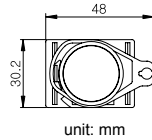
(□): indicates color of Lens; R, Y, G, B or C

\*CAUTION: Do not operate more than one light at a time. It can cause over heat on transformers.

# MC2 $\varnothing 22\text{mm}$ Push Buttons & Control Switches

## Momentary Push Buttons

- Momentary Push
- Single Normally Open contact
- Flush Mount Accessory and Water Proof Protector available

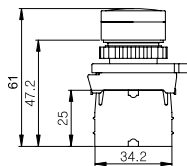
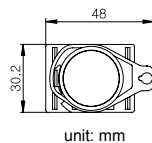


MC2 - **P** **R** - **A**

CONTACT BLOCK	
<b>A</b>	NO Contact
<b>B</b>	NC Contact
COLOR	
<b>R</b>	RED
<b>Y</b>	YELLOW
<b>G</b>	GREEN
<b>B</b>	BLUE
<b>K</b>	BLACK
STYLE	
<b>P</b>	Momentary Push Button

## Illuminated Push Buttons

- Momentary Push
- Single Normally Open contact included
- AC/DC LED configuration in various colors
- Flush Mount Accessory and Water Proof Protector available

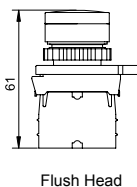
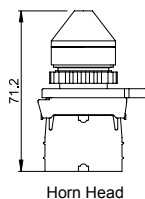
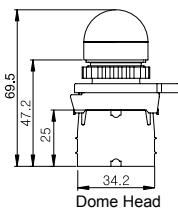
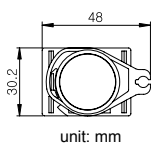


MC2 - **LPS** **R** - **A** **D**

LED	
<b>D</b>	12~30V DC/AC LED
<b>L</b>	110~220V AC LED
CONTACT BLOCK	
<b>A</b>	NO Contact
<b>B</b>	NC Contact
COLOR	
<b>R</b>	RED
<b>Y</b>	YELLOW
<b>G</b>	GREEN
<b>B</b>	BLUE
<b>C</b>	CLEAR
STYLE	
<b>LPS</b>	Illuminated Push Button

## Pilot Lamps

- LED illumination with clear visibility
- AC/DC LED configuration in various colors

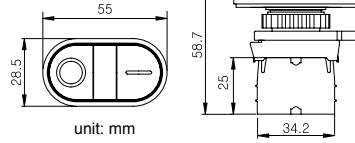


MC2 - **PI** **D** **R** - **D**

LED	
<b>D</b>	12~30V DC/AC LED
<b>L</b>	110~220V AC LED
COLOR	
<b>R</b>	RED
<b>Y</b>	YELLOW
<b>G</b>	GREEN
<b>B</b>	BLUE
<b>C</b>	CLEAR
HEAD STYLE	
<b>D</b>	Dome Head
<b>H</b>	Horn Head
<b>F</b>	Flush Head
STYLE	
<b>PI</b>	Pilot Lamp

## Double Push Buttons

- Momentary Push
- Normally Open and Normally Closed contact blocks
- LED illumination

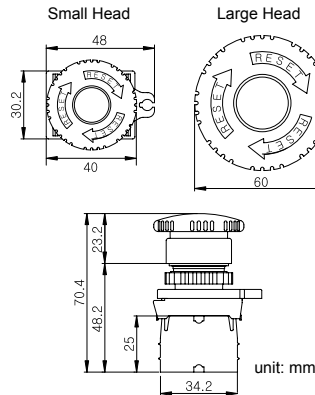


MC2 - **2P** **RG** - **AB** **D**

LED	
<b>D</b>	12~30V DC/AC LED
<b>L</b>	110~220V AC LED
CONTACT BLOCKS	
<b>AB</b>	1 NO Contact 1 NC Contact
COLOR	
<b>RG</b>	Red & Green
STYLE	
<b>2P</b>	Double Push Button

## Emergency Stops

- Ø40 or Ø60mm Mushroom heads
- Push Lock & Twist-to-release
- Illuminated or non-illuminated styles
- UL, cUL, CE approved contact blocks

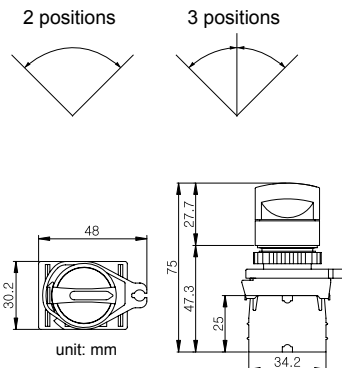


MC2 - **E** **S** **R** - **B** **D**

LED	
	Non-Illumination
<b>D</b>	12~30V DC/AC LED
<b>L</b>	110~220V AC LED
CONTACT BLOCK	
<b>B</b>	NC Contact
COLOR	
<b>R</b>	RED
HEAD	
<b>S</b>	Small Head (Ø40mm)
<b>L</b>	Large Head (Ø60mm)
STYLE	
<b>E</b>	Emergency Stop
<b>LE</b>	Illuminated Emergency Stop

## Selector Switches

- Available in 2 or 3 position selection
- Fixed Position or Auto Spring Return Styles



MC2 - **S** **S** **W2** **S** - **A**

CONTACT BLOCK	
<b>A</b>	2 Positions Single NO contact
<b>AA</b>	3 Positions Double NO contacts
Function	
<b>S</b>	Fixed Position
<b>M</b>	Auto Spring Return
Number of Positions	
<b>W2</b>	2 Positions 90°
<b>W3</b>	3 Positions 45°
Selector Head	
<b>S</b>	Knob
<b>L</b>	Lever
STYLE	
<b>S</b>	Selector Switch

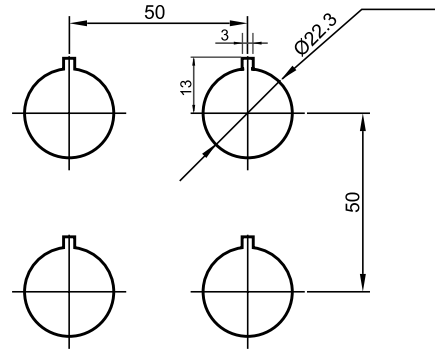
## Buzzers

- Selectable Continuous and Intermittent Sound
- LED Illumination
- AC/DC 12~30V rated

### MC2-B-D



## Ø22 Push Button Mounting Hole Layout & Panel Cutout



## Contact Blocks

Model	NO Contact	MC22-UA	NC Contact	MC22-UB
Appearance				
Contact Capacity	110 VAC 10A / 220 VAC 5A			
Approval	CE c RU <sup>®</sup> US			

## LEDs

Model	DC/AC LED	MC22-UA	AC LED	MC22-UB
Appearance				
Operating Voltage	DC/AC 12~30V		AC 110~220V	
Current Consumption	4~10mA		4~10mA	
LED Life	50,000 hours			
Approval	CE c RU <sup>®</sup> US			

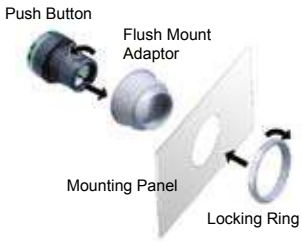
## Specifications

Control Switches		Push Buttons	Illuminated Push Buttons	Pilot Lamps	Selector Switches	Emergency Stops	Double Push Buttons	Buzzer		
Model		MC2-P	MC2-LP	MC2-PI	MC2-S	MC2-E	MC2-2P	MC2-B-D		
Life	Mechanical	50,000 times (20 times/min)						Rated Voltage	AC/DC 12~30V	
	Electrical	100,000 times (20 times/min)						Current	60mA	
		Sound Level							85dB @ 0.1m 75dB @ 1m	
Protection Degree		IP52					IP50	IP40		
Initial Contact Resistance		20MΩ maximum								
Insulation Resistance		Min. 100MΩ						Min. 50MΩ		
Operation Frequency		Max. 30 times/min						2~3 times/sec		
Impact	Endurance	Min. 500m/s <sup>2</sup>								
	No movement	Min. 100m/s <sup>2</sup>								
Vibration		10~55Hz with 3mm pick to pick								

Operating Temperature: -15~40°C    Operating Humidity: 45~85%RH    Storage Temperature: -40~70°C

# Accessories

## Flush Mount Adaptor



MC22-FP	MC22-FL
for Push Buttons MC2-P□-□	for Illuminated Push Buttons MC2-LP□-□□

## Water Proof Cap



MW-25P	MW-25L
for Push Buttons MC2-P□-□	for Illuminated Push Buttons MC2-LP□-□□

## E-Stop Accessories

Nameplates		Shroud		
MP-25-S	MP-25-L	MPC-KA-LD22	MPC-KA-LD25	MPC-KA-LD30
		Ø22mm	Ø25mm	Ø30mm

## Locking Ring Wrench



MC-P100

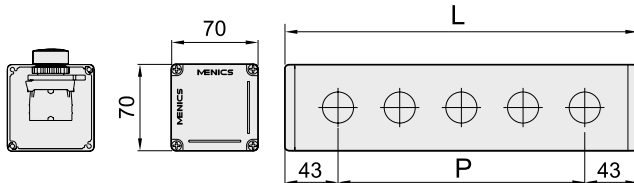
## Switch Boxes

### Aluminum Boxes



MB70 - S - 01

NUMBER OF HOLES	
01	1 Hole
02	2 Holes
03	3 Holes
04	4 Holes
05	5 Holes
X	X Holes (optional)
BOX STYLE	
S	Square Side
T	Triangular Side



	L	P
1 Hole	3.4 in (86mm)	—
2 Holes	5.4 in (136mm)	2 in (50mm)
3 Holes	7.3 in (186mm)	3.9 in (100mm)
4 Holes	9.3 in (236mm)	5.9 in (150mm)
5 Holes	11.3 in (286mm)	7.9 in (200mm)

### Plastic Boxes

IP 67 / NEMA 4x



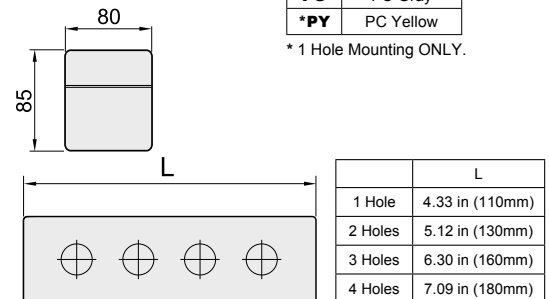
BC - AG S - 01

NUMBER OF HOLES	
01	1 Hole
02	2 Holes
03	3 Holes
04	4 Holes

BOX STYLE	
S	Screw Lock

BOX MATERIAL	
AG	ABS Gray
PG	PC Gray
*PY	PC Yellow

\* 1 Hole Mounting ONLY.





[www.AutonicsOnline.com](http://www.AutonicsOnline.com)

**Autonics USA, Inc.**

**Toll Free: 1.866.862.2602**

1001 Butterfield Rd, Vernon Hills, IL 60061  
Phone: 847-680-8160 | Fax: 847-680-8155  
Email: [sales@autonicsusa.net](mailto:sales@autonicsusa.net)

**Autonics México**

Torre Índigo Reforma, 373 piso 11,  
Col. Cuahutémoc 06500 México D.F.  
Tel: 52-55-5207-0019 | Fax : 52-55-5207-0099  
Email : [ventas@autonics.com](mailto:ventas@autonics.com)



**EN** - For pricing and availability in your local country please visit one of the below links:

**DE** - Informationen zu Preisen und Verfügbarkeit in Ihrem Land erhalten Sie über die unten aufgeführten Links:

**FR** - Pour connaître les tarifs et la disponibilité dans votre pays, cliquez sur l'un des liens suivants:

[MS86L-FFF-C](#)

[MS86S-N10-C](#)

[MPZ-56F](#)

[MPZ-56G](#)

**EN**

This Datasheet is presented by  
the manufacturer

**DE**

Dieses Datenblatt wird vom  
Hersteller bereitgestellt

**FR**

Cette fiche technique est  
présentée par le fabricant