

Non-Indicating Pressure Transmitters



TPS20 Series CATALOG

For your safety, read and follow the considerations written in the instruction manual, other manuals and Autonics website.

The specifications, dimensions, etc are subject to change without notice for product improvement. Some models may be discontinued without notice.

Features

- Excellent corrosion resistance with stainless steel housing
- High accuracy $\pm 0.3\%$ F.S.
- Various connection method
 - Head type, DIN connector type, connector cable type
- Various user friendly function
 - Built-in zero-point, span adjustment (head type)

Ordering Information

This is only for reference.

For selecting the specified model, follow the Autonics website.

TPS20 - ① ② ③ ④ (⑤)

① Pressure type

G: Gauge pressure
A: Absolute pressure

② Connection

1: Head type
2: DIN connector type
3: Connector cable type

④ Pressure port

F8: G3/8 (standard, PF)
P2: R1/2 (with adapter, PT)
P8: R3/8 (with adapter, PT)
ZZ: Others

⑤ User pressure range⁰¹⁾

Customized pressure range

③ Rated Pressure range

Number: rated pressure range (unit: kgf/cm²)

	Gauge pressure	Absolute pressure
1	0 to 0.2	-
2	0 to 0.5	-
3	0 to 1	0 to 1
4	0 to 2	0 to 2
5	0 to 7	0 to 7
6	0 to 10	0 to 10
7	0 to 20	0 to 20
8	0 to 35	0 to 35
9	0 to 70	-
A	0 to 100	-
C	0 to 200	-
F	0 to 300	-
H	0 to 350	-
Compound pressure		
M	-1.03 to 0	-
O	-1.03 to 1	-
Q	-1.03 to 7	-
V	-1.03 to 10	-
X	-1.03 to 20	-
Y	-1.03 to 35	-
Z	User pressure range	-

01) The pressure range is set to customized pressure range. (select 'Z' at ③ Rated pressure range)

Specifications

Series	TPS20		
Applicable medium	Gas, liquid, fluid (except corrosive environment of SUS316)		
Pressure Type	Gauge pressure	Absolute pressure	Compound pressure
Rated Pressure range ⁰¹⁾	0 to 0.2, 350 kgf/cm ² (different by model)	0 to 1.0, 35 kgf/cm ² (different by model)	-1.03 to 0, 35 kgf/cm ² (different by model)
Max. pressure	300% of max. rated pressure		
Response time	≤ 100 ms		
Protection circuit	Reverse polarity protection circuit		
Tightening torque	≥ Industrial plug 5 N		
Material	Sealing: SUS316, O-ring: fluoro rubber, diaphragm: SUS316, connection: SUS316		
Connection	+, -		
Case structure	Drip-proof structure		
Approval	CE		
Unit weight (packaged)	≈ 320 g (≈ 350 g), based on head type		

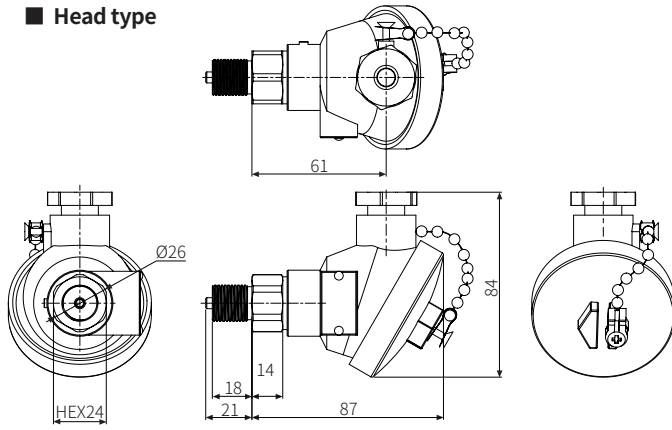
01) It is different by model. Refer to 'Ordering Information'.

Power supply	15 - 35 VDC=
Allowable voltage range	90 to 110% of rated voltage
Current consumption	≤ 50 mA
Current Output	DC 4-20 mA
Linearity	±0.3% F.S. (-10 to 50 °C), ±0.5% F.S. (50 to 70 °C)
Hysteresis	±0.3% F.S.
Temp. Zero Shift	±0.03% F.S.
Temp. Span Shift	±0.03% F.S. (at 25 °C)
Load resistance	≤ 600 Ω
Insulation resistance	≥ 100 MΩ (500 VDC= megger)
Dielectric strength	500VAC ~ 50/60 Hz for 1 minute
Vibration	1.5mm amplitude at frequency of 10 to 55Hz (for 1 min) in each X, Y, Z direction for 2 hours
Shock	95 m/s ²
Ambient temperature	-10 to 70 °C, storage: -10 to 70 °C (no freezing or condensation)
Ambient humidity	5 to 95% RH, storage: 5 to 95% RH (no freezing or condensation)

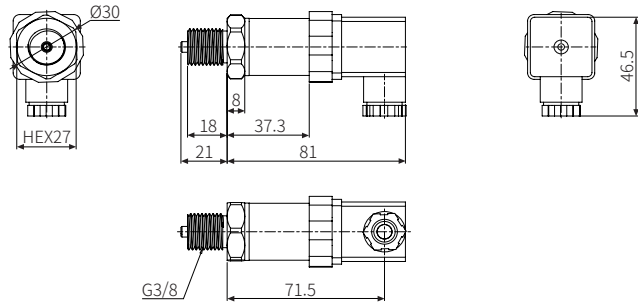
Dimensions

• Unit: mm, For the detailed drawings, follow the Autonics website.

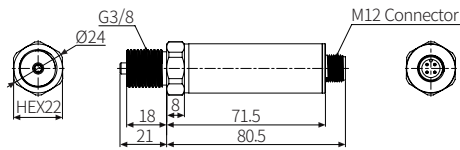
■ Head type



■ DIN connector type



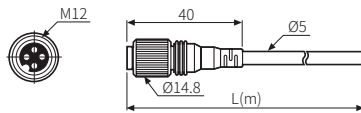
■ Connector cable type



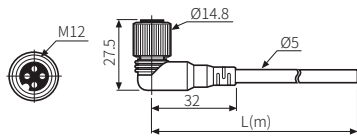
Sold Separately

■ Connection cable

• CID3-2 / CID3-5



• CLD3-2 / CLD3-5



Model	L (m)	Material
C□D3-2	2	PVC
C□D3-5	5	PVC