

Display Pressure Transmitters



PTF30 Series CATALOG

For your safety, read and follow the considerations written in the instruction manual, other manuals and Autonics website.
 The specifications, dimensions, etc. are subject to change without notice for product improvement. Some models may be discontinued without notice.

Features

- Minimized disturbance effect by improving noise resistance
- Excellent corrosion resistance with stainless steel housing
- High accuracy $\pm 0.2\%$ F.S.
- Various functions
 - User input range, display scale, output scale, digital filter, multi display selection, abnormal operation display, TUF (Two Unit Function), etc.
- Explosion-proof specification: Ex d IIC T6
- Protection structure: IP67 (IEC standard)
- Applications
 - Indoor heating, water supply and sewage, and incinerator and small and medium sized projects

Ordering Information

This is only for reference.
 For selecting the specified model, follow the Autonics website.

PTF30 - ① ② N ③ ④ - (⑤)

① Pressure type

G: Gauge, sealed gauge ⁰¹⁾
 A: Absolute pressure

③ Install bracket

N: Without bracket
 B: With bracket

② Rated pressure range

| | Gauge | Absolute |
|---------------------|-----------------|--------------|
| 1 | 0 to 35 kPa | 0 to 35 kPa |
| 2 | 0 to 0.1 MPa | 0 to 0.1 MPa |
| 3 | 0 to 0.2 MPa | 0 to 0.2 MPa |
| 4 | 0 to 0.7 MPa | 0 to 0.7 MPa |
| 5 | 0 to 2 MPa | 0 to 2 MPa |
| 6 | 0 to 3.5 MPa | 0 to 3.5 MPa |
| 7 | 0 to 7 MPa | |
| 8 | 0 to 21 MPa | |
| 9 | 0 to 35 MPa | |
| Sealed gauge | | |
| A | -35 to 0 kPa | |
| C | -0.1 to 0 MPa | |
| F | -0.1 to 0.2 MPa | |
| H | -0.1 to 0.7 MPa | |
| M | -0.1 to 2 MPa | |
| O | -0.1 to 3.5 MPa | |
| Z | Custom | |

④ Pressure port

F8: G3/8 (PF)

⑤ User pressure range ⁰²⁾

Customized pressure range and unit

01) The pressure is sealed gauge pressure. The unit is sealed structure. It is based on atmospheric pressure 101.3 kPa (1.013 bar).

02) The pressure range is set to customized pressure range. (select "Z" at ② Rated pressure range)

Specifications

| | |
|-----------------------------------|---|
| Series | PTF30 |
| Applicable medium | Gas, liquid, oil (except corrosive environment of SUS316) |
| Power supply | 15 - 35 VDC= |
| Output | DC 4 - 20 mA (2-wire, impedance: $\leq 30 \Omega$, low limit: 3.6 mA (-2.5%), high limit: 21.6 mA (+10%) |
| Accuracy ⁰¹⁾ | $\pm 0.2\%$ of F.S. (at 25 °C) |
| Temperature characteristic | $\pm (0.075\% \times \text{URL} + 0.15\% \times \text{Span})$ (at 20 °C) |
| Sampling period | 300 ms |
| Setting method | Front key |
| Display type | 12 segment LCD, 4 digit |
| Approval | CE EAC |
| Unit weight | ≈ 1.2 kg |

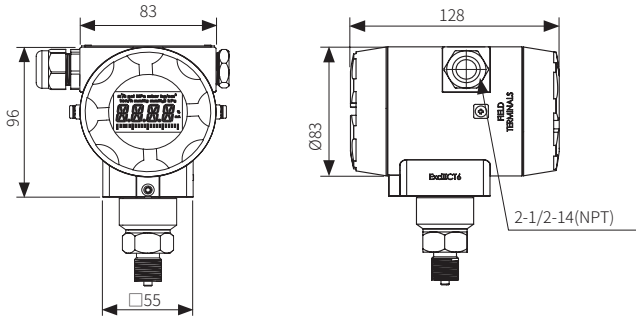
01) F.S. is rated pressure range.

| | |
|---------------------------------------|--|
| Insulation Resistance | ≥ 100 M Ω (500 VDC= megger) |
| Dielectric strength | 1,000 VAC~ for 1 min (between external terminal and case) |
| Vibration | 0.75 mm amplitude at frequency of 5 to 55 Hz (for 1 min) in each X, Y, Z direction for 2 hours |
| Noise immunity | Square shaped noise by noise simulator (pulse width 1 μ s) ± 240 V |
| Memory retention | ≈ 10 years (non-volatile semiconductor memory type) |
| Ambient temperature | -20 to 70 °C, storage: -20 to 80 °C (rated at no freezing or condensation) |
| Ambient humidity | 0 to 85%RH (rated at no freezing or condensation) |
| Protection structure | IP67 (IEC standard) |
| Material | Body: aluminum (AlDc.8S), cover O - Ring: Buna N, diaphragm: SUS316, connection: SUS316 |
| Explosion class ⁰¹⁾ | Ex d IIC T6 |

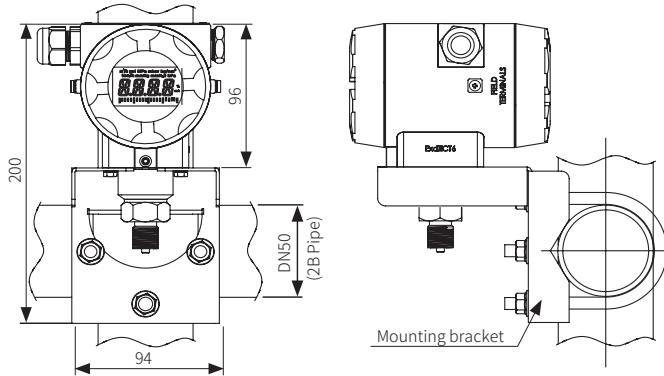
01) This explosion class is acquired and managed by Konics Co., Ltd.

Dimensions

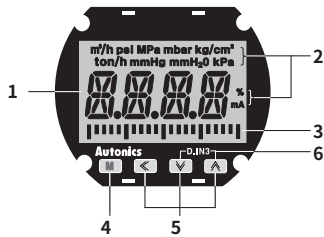
- Unit: mm, For the detailed drawings, follow the Autonics website.



■ With bracket



Unit Descriptions



- 1. Display part**
Displays PV (present value), SV (Setting value) and error discription.
- 2. Unit display part**
Displays the currently set input unit.
- 3. Output scale bar graph**
Displays output DC 4-20 mA as scale bar graph by 5% unit.
- 4. [M] key**
Used to enter parameter mode, move parameters and save SV.
- 5. [◀], [▼], [▲] key**
Used to enter parameter set mode, move digits.
- 6. D.IN3**
Press [▼]+[▲] keys at the same time for 3 sec to executes digital input function. (parameter)