

Display Pressure Transmitters



KT-302H Series CATALOG

For your safety, read and follow the considerations written in the instruction manual, other manuals and Autonics website.
The specifications, dimensions, etc. are subject to change without notice for product improvement. Some models may be discontinued without notice.

Features

- HART protocol
- Display rotation in 330 ° range
- Better visibility with supporting backlight function
- Excellent corrosion resistance with stainless steel housing
- High accuracy $\pm 0.2\%$ F.S.
- Self-stable and filter device
- Explosion-proof specification: Ex D IIC T6
- Protection structure: IP67 (IEC standard)

Ordering Information

This is only for reference.
For selecting the specified model, follow the Autonics website.

KT-302H	1	-	2	3	4	5
----------------	----------	---	----------	----------	----------	----------

1 Pressure type

S: Gauge, sealed gauge⁰¹⁾
A: Absolute

3 Install bracket

0: Without bracket
1: With bracket

2 Rated pressure range

	Gauge	Absolute
01	0 to 35 kPa	0 to 35 kPa
02	0 to 0.1 MPa	0 to 0.1 MPa
03	0 to 0.2 MPa	0 to 0.2 MPa
04	0 to 0.7 MPa	0 to 0.7 MPa
05	0 to 2 MPa	0 to 2 MPa
06	0 to 3.5 MPa	0 to 3.5 MPa
07	0 to 7 MPa	
08	0 to 21 MPa	
09	0 to 35 MPa	
	Sealed gauge	
14	-0.1 to 0 MPa	-
15	-0.1 to 0.2 MPa	
16	-0.1 to 0.7 MPa	
17	-0.1 to 2 MPa	
18	-0.1 to 3.5 MPa	
Z	Custom	

4 Pressure port

0: G3/8 (PF, standard)
1: Others

5 User pressure range⁰²⁾

Customized pressure range

01) The pressure is sealed gauge pressure. The unit is sealed structure. It is based on atmospheric pressure 101.3 kPa (1.013 bar).

02) The pressure range is set to customized pressure range. (select "Z" at 2 Rated pressure range)

Specifications

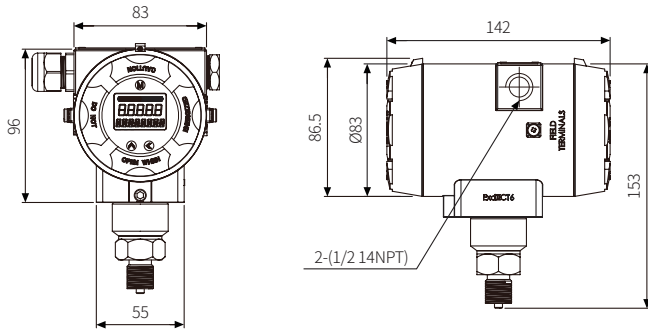
Series	KT-302H
Applicable medium	Gas, liquid, oil (except corrosive environment of SUS316)
Power supply	9 - 45 VDC=
Output	DC 4 - 20 mA (2-wire, low limit: 3.8 mA, high limit: 22.8 mA)
Accuracy ⁰¹⁾	$\pm 0.2\%$ of F.S. (at 25 °C)
Sampling period	200 ms
Display type	PV display part: 7 segment 5 digit, parameter display part: 16 segment 8 digit, bar LED: 52
Display range	-9999 to 99999
Setting method	Front key, HART-protocol
Approval	ERC
Unit weight (packaged)	≈ 1.4 kg (≈ 1.7 kg)
Ambient temperature	-20 to 70°C, storage: -40 to 85°C (rated at no freezing or condensation)
Ambient humidity	0 to 85%RH, storage: 0 to 85%RH (rated at no freezing or condensation)
Protection structure	IP67 (IEC standard)
Material	Body: aluminum (AlDc.8S), cover O - Ring: Buna N, diaphragm: SUS316, connection: SUS316
Explosion class ⁰²⁾	Ex d IIC T6

01) F.S. is rated pressure range.

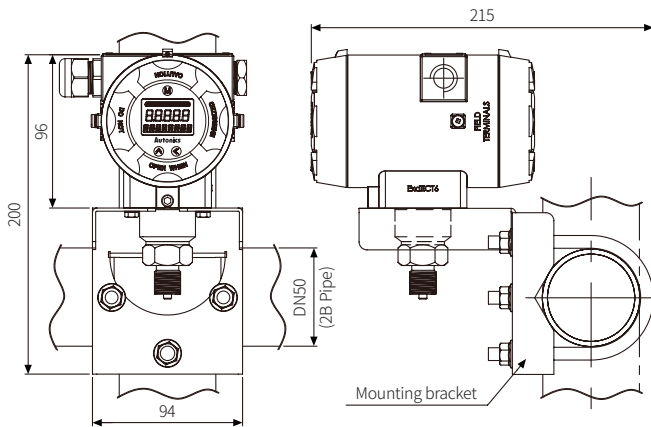
02) This explosion class is acquired and managed by Konics co., ltd.

Dimensions

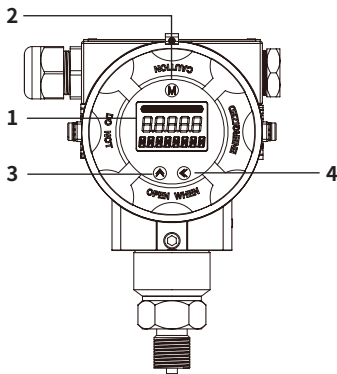
- Unit: mm, For the detailed drawings, follow the Autonics website.



■ With bracket



Unit Descriptions



- 1. Display part**
Displays PV (present value) and the unit message.
- 2. [M] key**
Enters the setting mode and saves the setting value.
- 3. [▲] key**
Changes the setting value of data.
- 4. [◀] key**
Changes setting position of data.