

# Compact Pressure Sensors



## PSS Series CATALOG

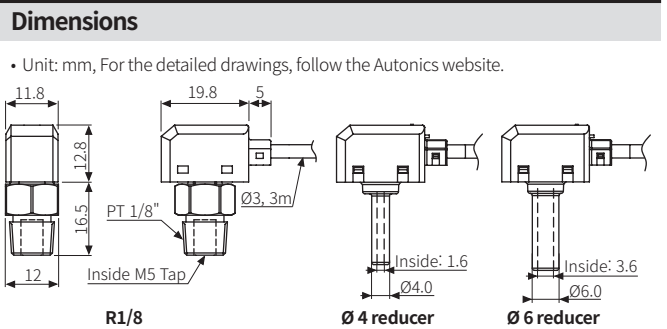
For your safety, read and follow the considerations written in the instruction manual, other manuals and Autonics website. The specifications, dimensions, etc. are subject to change without notice for product improvement. Some models may be discontinued without notice.

### Features

- Rated pressure range
  - negative pressure (0 kPa to -101.3 kPa)
  - positive pressure (0 kPa to 100.0 kPa / 0 kPa to 1000 kPa)
  - compound pressure (-101.3 kPa to 100 kPa)
- Compact size: W 11.8 mm × H 29.3 mm × L 24.8 mm (with pressure port)
- Analog output: voltage (1 - 5 VDC), current (DC 4 - 20 mA)
- Power supply: 12 - 24 VDC ±10%

Model									
Model name	Pressure	Rated pressure range	Expanded analog output range	Max. pressure range	Output	□: Pressure port			
PSS-V01V-□	Negative	0.0 to -101.3 kPa	5.0 to -101.3 kPa	Rated pressure × 2	Voltage	R1/8: R1/8 (Standard) R04: Ø4 reducer R06: Ø6 reducer			
PSS-V01A-□					Current				
PSS-01V-□	Static	0.0 to 100.0 kPa	-5.0 to 110.0 kPa	Rated pressure × 2	Voltage				
PSS-01A-□					Current				
PSS-1V-□					0 to 1,000 kPa		-50 to 1,100 kPa	Rated pressure × 1.5	Voltage
PSS-1A-□									Current
PSS-C01V-□	Compound	-101.3 to 100.0 kPa	-101.3 to 110.0 kPa	Rated pressure × 2	Voltage				
PSS-C01A-□					Current				

Specifications	
Series	PSS series
Applicable medium	Air, Non-corrosive gas
Pressure type	Negative, Static, Compound
Rated pressure range	Refer to 'Model'.
Cable	Ø 3 mm, 4-core, 3 m
Wire	AWG28 (0.08 mm, 19-core) insulator diameter: Ø 0.88 mm
Material	<ul style="list-style-type: none"> <li>• R1/8 pressure port - Front/Rear case: PBT, Pressure port: Nickel plated brass</li> <li>• Reducer pressure port - Front/Rear case and pressure port: PBT</li> </ul>
Protection structure	IP40 (IEC standard)
Approval	CE ENEC
Unit weight (packaged)	≈ 26 g (≈ 60 g)
Power supply	12 - 24 VDC ±10% (ripple P-P: ≤ 10%)
Current consumption	Voltage output model: ≤ 15 mA
Effect by power supply	≤ ±0.3%F.S
Protection circuit	Reverse polarity protection circuit
Voltage output	1 - 5 VDC ±2% F.S.
Linearity	≤ ±1% F.S.
Output impedance	1 kΩ
Current output	DC 4 - 20 mA ±2% F.S.
Linearity	≤ ±1% F.S.
Analog output temp. characteristic	≤ ±2% F.S. (in 0 to 50 °C temperature range, at 25 °C)
Insulation resistance	≥ 50 MΩ (500 VDC = megger)
Dielectric strength	2,000 VAC ~ 50/60 Hz for 1 min
Vibration	1.5 mm amplitude at frequency of 10 to 55 Hz (for 1 min) in each X, Y, Z direction for 2 hours
Ambient temperature	0 to 50 °C, Storage: -10 to 60 °C (no freezing or condensation)
Ambient humidity	35 to 85%RH, Storage: 35 to 85%RH (no freezing or condensation)



- ### Sold Separately
- Sensor connector plug: CNE-P04-□
  - Pressure sensor indicators: PSM Series