



Digitized Automation for a Changing World




Delta Industrial PC IPC Series / PPC Series

Industrial PCs - IPC & PPC

In response to market demands for industrial information management, Delta presents the industrial PCs: Industrial box PC (IPC) and Industrial Panel PC (PPC).

The Industry PC (IPC) is compact and robust with a fanless design and aluminum case featuring cooling effects. Its rugged structure and excellent vibration resistance make it highly protective against pollution, dust, and electromagnetic interference when applied in industrial environments, such as machinery equipment, transportation, infrastructure and others.

The Industrial Panel PC (PPC) is slim and built with an aluminum case, which is composed of an IP65 front panel and a rear panel with heat sink. It is sealed with a fanless design. The PPC is suitable for applications in the rubber machinery, solar photovoltaic, automotive control and other industrial fields.

| | | | | |
|---|-------------------|---|-----------------------------|---------------------------------|
|  | Embedded Type | Intel® Celeron N3350 | 2/4GB RAM | 2× RJ45 (1GbE) |
| | | | 64GB mSata SSD | 1× VGA |
| | | | 2× USB / 1× COM | — |
|  | Standard Type | Intel® Celeron J1900 | 4/8GB RAM | 2× RJ45 (1GbE) |
| | | | 128GB mSata SSD | 1× VGA / 1× HDMI |
| | | | 6× USB / 6× COM | — |
| | Advanced Type | 6 th Gen Intel® Core i3/i5 Series | 4/8GB RAM | 2× RJ45 (1GbE) |
| | | | 256/512GB mSata SSD | 1× VGA / 1× HDMI |
| | | | 6× USB / 6× COM | — |
|  | Professional Type | 6 th Gen Intel® Core i3/i5/i7 Series | 8GB RAM | 2× RJ45 (1GbE) |
| | | | 256/512GB Sata III 2.5" SSD | 1× VGA / 1× HDMI |
| | | | 4× USB / 4× COM | 2× PCI or 1× PCI + 1× PCIe16 |

| | | | | |
|---|--------------------------|---|---------------------|----------------------------------|
|  | Standard Type with Panel | Intel® Celeron J1900 | 4/8GB RAM | 2× RJ45 (1GbE) |
| | | | 128GB mSata SSD | 1× VGA / 1× HDMI |
| | | | 4× USB / 4× COM | 10 / 12 / 15 / 17 / 19 / 21 inch |
| | Advanced Type with Panel | 6 th Generation Intel® Core i3/i5 Series | 4/8GB RAM | 2× RJ45 (1GbE) |
| | | | 256/512GB mSata SSD | 1× VGA / 1× HDMI |
| | | | 4× USB / 4× COM | 15 / 17 / 19 / 21 inch |



Contents

| | Page |
|----------------------------------|------|
| <u>Industrial PC - IPC</u> | 4 |
| <u>Industrial Panel PC - PPC</u> | 6 |
| <u>Applications</u> | 8 |
| <u>Dimensions</u> | 10 |
| <u>Ordering Information</u> | 12 |
| <u>Model Information</u> | 15 |



Industrial Box PC (IPC)

Embedded Type

- Intel® Celeron N3350
- Fanless system
- Supports 1× VGA
- Operating Temperature -20°C ~ 70°C
- Storage: 1× 64GB mSata SSD
- Memory: Built-in 2/4GB; Max. capacity: 8GB

Standard Type

- Intel® Celeron J1900
- Fanless system
- Supports 1× VGA; 1× HDMI
- Operating Temperature -20°C ~ 60°C
- Storage: 1× 128GB mSata SSD
- Memory: Built-in 4/8GB; Max. capacity: 8GB

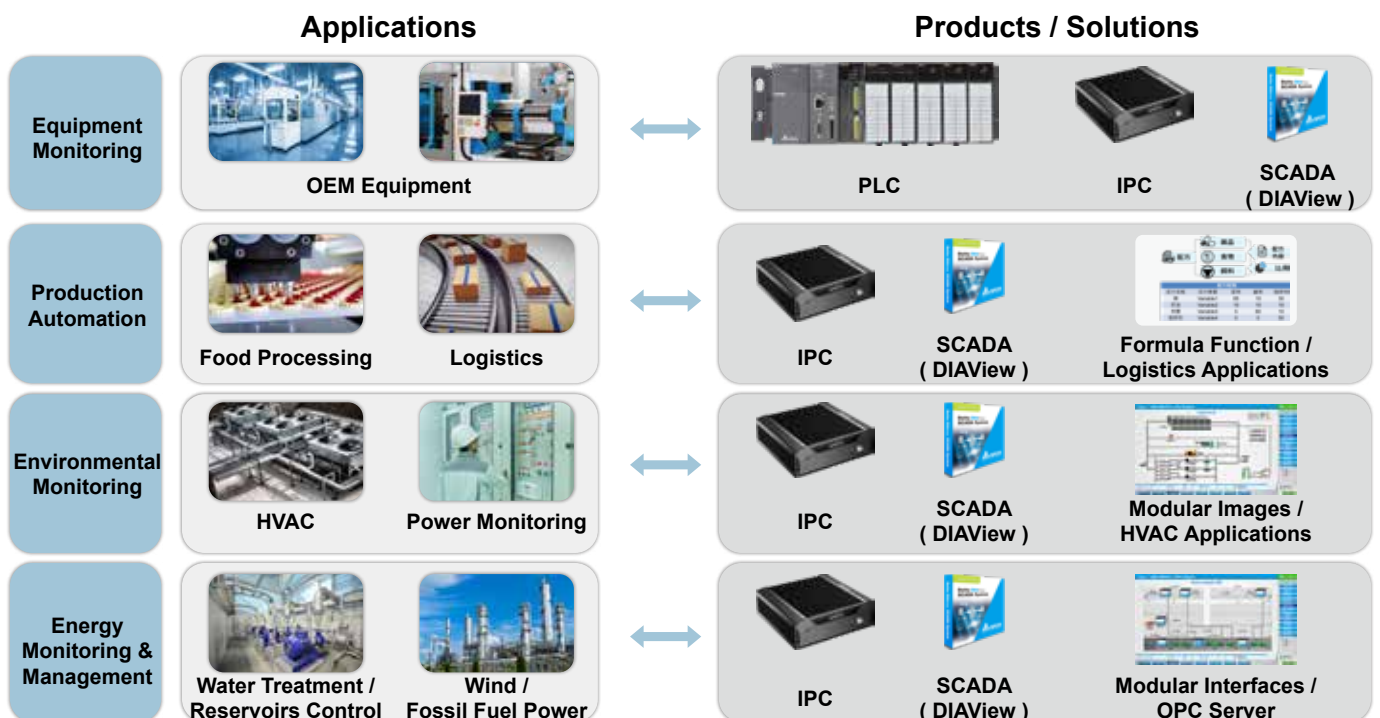
Advanced Type

- 6th Gen Intel® Core i3 / i5
- Fanless system
- Supports 1× VGA; 1× HDMI
- Operating Temperature -20°C ~ 60°C
- Storage: 1× 256/512GB mSata SSD
- Memory: Built-in 4/8GB; Max. capacity: 32GB

Professional Type

- 6th Gen Intel® Core i3 / i5 / i7
- Fanless system
- Supports 1× VGA; 1× HDMI
- Expansion slot: 1× PCI and 1× PCIe16
- Operating Temperature -10°C ~ 60°C
- Storage: 1× 256/512GB Sata III SSD
- Memory: Built-in 8GB; Max. capacity: 32GB

Integration with SCADA System for Industrial Applications



Specifications

| Model | | Embedded Type | Standard Type | Advanced Type | Professional Type |
|-------------------|--------------------------|--|---|---------------------------------------|---|
| | | IPC-E200 Series | DIAVH-IPC00J Series | DIAVH-IPC003/5 Series | IPC-A300 Series |
| Processor System | CPU | Intel® Celeron N3350 | Intel® Celeron J1900 | 6 th Gen Intel® Core i3/i5 | 6 th Gen Intel® Core i3/i5/i7 |
| | Core Number | 2 | 4 | 2 | 2 (i3) / 4 (i5/i7) |
| Memory | Socket | 1× SO-DIMM | | | 2× SO-DIMM |
| | Technology | DDR3L | DDR3L | DDR4 | DDR4 |
| | Standard Capacity | 2/4GB | 4/8GB | 4/8GB | 8GB |
| | Max Capacity | 8GB | 8GB | 32GB | 32GB |
| Storage | Interface | 1× Half-size mSata | 1× Full-size mSata | 1× Full-size mSata | 2× 2.5" SATA III |
| | Standard Capacity | 64GB | 128GB | 256/512GB | 256/512GB |
| System I/O | COM | 1× RS-232/422/485 Selected by BIOS | 5× RS-232 1× RS-485 | 4× RS-232 2× RS-485 | 4× RS-232/422/485 Selected by BIOS |
| | DIO | 8-bit DIO Selected by BIOS, DB9 Connector | – | – | – |
| | USB | 2× USB2.0 | 5× USB2.0 1× USB3.0 | 2× USB2.0 4× USB3.0 | 4× USB3.0 |
| | Ethernet | 2× 10/100/1000 Mbps Ethernet | | | |
| | Display | 1× VGA | 1× HDMI / 1× VGA | | |
| | Audio | – | 1× Audio input / output | | |
| Expansion | Mini-PCIe | 1× Full-size mini PCIe for wireless module | | | |
| | Riser Card | – | – | – | 2× PCI or 1× PCI+1× PCIe x16 |
| Environment | Anti-vibration | 2Grms @ 5~500 Hz | 1Grms @ 19~200 Hz | | 2Grms @ 5~500 Hz |
| | Anti-shock | – | 10g acceleration, 11ms duration | | – |
| | PC Operating Temperature | -20°C~70°C with air flow | -20°C~60°C with air flow | | -10°C~60°C with air flow |
| | Relative Humidity | -40°C~85°C | -40°C~70°C | | -20°C~80°C |
| | Relative Humidity | 10~90% (non-condensing) | 10~95% (non-condensing) | | 10~90% (non-condensing) |
| Mechanical | Dimensions W x D x H | 31 x 100 x 125mm | 211.5 x 200 x 67mm | | 147.5 x 230 x 147.5mm |
| | Weight | 0.3/0.5 kg | 2.8/3.5 kg | | 4.4/5.4 kg |
| | Installation | DIN-rail | Wall Mount / Desktop | | |
| Power Consumption | Input Voltage | 12~24 V _{DC} Terminal block OVP(±20%) & reverse current protection | With power adapter: Input voltage: 100~240 V _{AC} Output voltage / current: 12 V _{DC} /5A | | With power adapter: Input voltage: 100~240 V _{AC} Output voltage / current: 24 V _{DC} /5A |
| | Standby mode | 17 W | 7 W | 10 W | 28 W |
| Certifications | | CE, FCC Class A | CE, FCC Class A, BSMI | | CE, FCC Class A |

Industrial Panel PC - PPC

(10-inch / 12-inch / 15-inch / 17-inch / 19-inch / 21-inch)

Intel® Celeron J1900

| Model | | DIAVH-PPC10J Series | DIAVH-PPC12J Series | DIAVH-PPC15J Series | DIAVH-PPC17J Series | DIAVH-PPC19J Series | DIAVH-PPC21J Series |
|-------------------|--------------------------|--|-----------------------------|---------------------------|---------------------------|---------------------------|------------------------------|
| Processor System | CPU | Intel® Celeron J1900 | | | | | |
| | Core Number | 4 | | | | | |
| Memory | Socket | 1 × SO-DIMM | | | | | |
| | Technology | DDR3L | | | | | |
| | Standard Capacity | 4/8GB | | | | | |
| | Max Capacity | 8GB | | | | | |
| Storage | Interface | 1 × Full-size mSata | | | | | |
| | Standard Capacity | 128GB | | | | | |
| Panel | Front Bezel | Aluminum alloy with IP65 | | | | | |
| | Touch Panel | 5-wire / resistive, USB interface | | | | | |
| | Size | 10 inch | 12 inch | 15 inch | 17 inch | 19 inch | 21 inch |
| | Resolution | 1024 × 768 | 1024 × 768 | 1024 × 768 | 1280 × 1024 | 1440 × 900 | 1920 × 1080 |
| | Brightness | 350 cd/m ² | 450 cd/m ² | 300 cd/m ² | 250 cd/m ² | 250 cd/m ² | 250 cd/m ² |
| | Contrast | 800 : 1 | 700 : 1 | 1500 : 1 | 1000 : 1 | 1000 : 1 | 1000 : 1 |
| | Viewing angle (H/V) | 170°/170° | 160°/160° | 140°/140° | 150°/140° | 150°/140° | 170°/160° |
| System I/O | COM | 3 × RS-232, 1 × RS-485 | | | | | |
| | GPIO | 4-bit In / 4-bit Out (DB9 Connector) | - | - | - | - | |
| | USB | 3 × USB2.0, 1 × USB3.0 | | | | | |
| | Ethernet | 2 × 10/100/1000 Mbps Ethernet | | | | | |
| | Display | 1 × HDMI / 1 × VGA | | | | | |
| | Audio | 1 × Audio input / output | | | | | |
| Expansion | Mini-PCIe | 1 × Full-size mini PCIe for wireless module | | | | | |
| Environment | Anti-vibration | 1Grms @ 19~200Hz | | | | | |
| | Anti-shock | 10g acceleration, 11ms duration | | | | | |
| | PC Operating Temperature | -10°C ~ 50°C with air flow | | | | | |
| | Storage Temperature | -20°C ~ 60°C | | | | | |
| | Relative Humidity | 10~95% (non-condensing) | | | | | |
| Mechanical | Dimensions (mm) | 258(W) 198(H) 57.5(D) | 317(W) 246(H) 65.7(D) | 380(W) 300(H) 59(D) | 400(W) 320(H) 59(D) | 475(W) 308(H) 57(D) | 525 (W) 316 (H) 57 (D) |
| | Weight | 2.8/4.0kg | 4.3/5.7kg | 5.2/6.8kg | 6.1/8.0kg | 7.3/8.3kg | 7.5/8.5kg |
| Power Consumption | Input Voltage | With power adapter: Input Voltage: 100~240V _{AC} ; Output Voltage / Current: 12V _{DC} /5A | | | | | |
| | Standby mode | 10W | 15W | 11W | 11W | 13W | 16W |
| Certifications | | CE, FCC Class A, BSMI | | | | CE, FCC Class A | |

Industrial Panel PC - PPC

(15-inch / 17-inch / 19-inch / 21-inch)

Intel® Core i3 / i5 Series

| Model | | DIAVH-PPC15x Series | DIAVH-PPC17x Series | DIAVH-PPC19x Series | DIAVH-PPC21x Series |
|-------------------|--------------------------|--|---------------------------|---------------------------|---------------------------|
| Processor System | CPU | 6 th Gen Intel® Core i3/i5 | | | |
| | Core Number | 2 | | | |
| Memory | Socket | 1 × SO-DIMM | | | |
| | Technology | DDR4 | | | |
| | Standard Capacity | 4/8GB | | | |
| | Max Capacity | 32GB | | | |
| Storage | Interface | 1 × Full-size mSata | | | |
| | Standard Capacity | 256/512GB | | | |
| Panel | Front Bezel | Aluminum alloy with IP65 | | | |
| | Touch Panel | 5-wire / resistive, USB interface | | | |
| | Size | 15 inch | 17 inch | 19 inch | 21 inch |
| | Resolution | 1024 × 768 | 1280 × 1024 | 1440 × 900 | 1920 × 1080 |
| | Brightness | 300 cd/m ² | 250 cd/m ² | 250 cd/m ² | 250 cd/m ² |
| | Contrast | 1500 : 1 | 1000 : 1 | 1000 : 1 | 1000 : 1 |
| | Viewing angle (H/V) | 140°/140° | 150°/140° | 150°/140° | 170°/160° |
| System I/O | COM | 3 × RS-232, 1 × RS-485 | | | |
| | USB | 4 × USB3.0 | | | |
| | Ethernet | 2 × 10/100/1000 Mbps Ethernet | | | |
| | Display | 1 × HDMI / 1 × VGA | | | |
| | Audio | 1 × Audio input / output | | | |
| Expansion | Mini-PCIe | 1 × Full-size mini PCIe for wireless module | | | |
| Environment | Anti-vibration | 1Grms @ 19~200 Hz | | | |
| | Anti-shock | 10g acceleration, 11ms duration | | | |
| | PC Operating Temperature | -10 °C ~ 50 °C with air flow | | | |
| | Storage Temperature | -20 °C ~ 60 °C | | | |
| | Relative Humidity | 10 ~ 95% (non-condensing) | | | |
| Mechanical | Dimensions (mm) | 380(W) 300(H) 59(D) | 400(W) 320(H) 59(D) | 475(W) 308(H) 57(D) | 525(W) 316(H) 57(D) |
| | Weight | 5.2/6.8kg | 6.1/8.0kg | 7.3/8.8kg | 7.5/8.3kg |
| Power Consumption | Input Voltage | With power adapter: Input voltage: 100~240V _{AC} ; Output voltage / current: 12V _{DC} /5A | | | |
| | Standby mode | 10W | 16W | 20W | 20W |
| Certifications | | CE, FCC Class A, BSMI | CE, FCC Class A | CE, FCC Class A, BSMI | CE, FCC Class A |



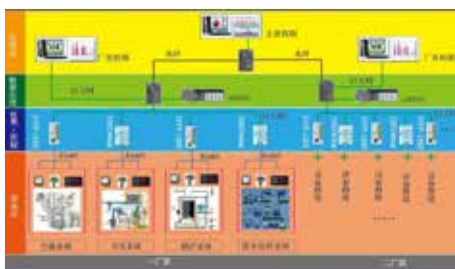
Applications

Factory Digitalization

- Factory data acquisition, process control and management
- Data Information Storage and analysis, realizing distributed system calculation

Logistic Application: Transportation and Stereoscopic Warehouse

- Material storage arrangement according to database; material load / unload via barcode scanning
- Enhances material storage management / load / unload efficiency, saving space, and reducing manpower



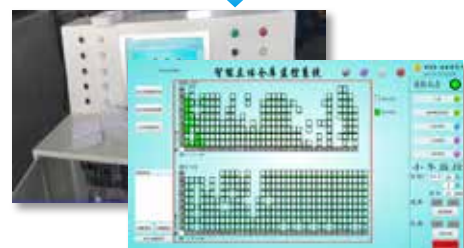
Factory Digitalization



Warehousing System



Factory Equipment Monitoring



Warehouse Monitoring



Inspection & Monitoring of Electronic Equipment

- Connects PLCs and inspection equipment for routine inspection, realizing powerful group control
- Records daily production, yield rate, and provides inquiry functions



Electronic Inspection Equipment



Inspection and Monitoring Interfaces

Equipment Monitoring System

- Achieves real-time remote monitoring of machine operating status
- Allows device suppliers to remotely lock/unlock devices for flexible management

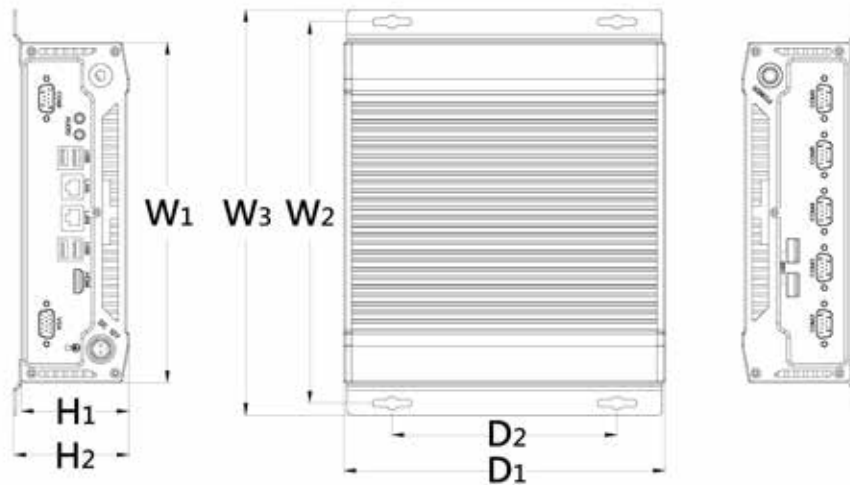


Total Configuration of Equipment Monitoring

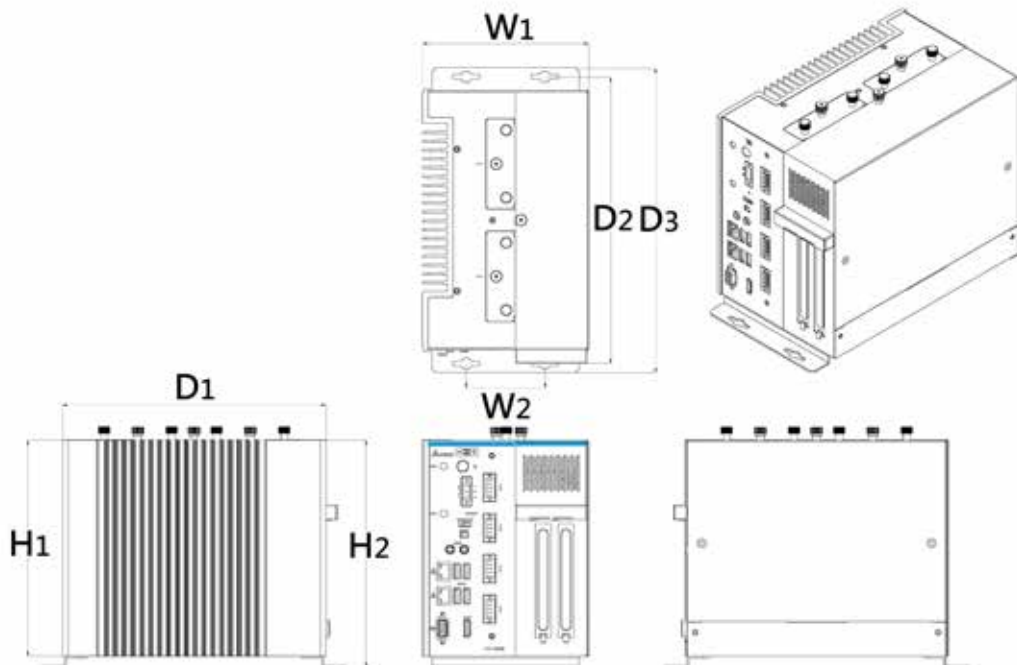


Equipment Remote Monitoring

Dimensions Unit: mm



| Model | W (mm) | | | D (mm) | | H (mm) | |
|--------------------|--------|-------|-------|--------|-----|--------|------|
| | W1 | W2 | W3 | D1 | D2 | H1 | H2 |
| DIAVH-IPC00 Series | 211.5 | 236.9 | 251.9 | 200 | 140 | 67 | 71.6 |



| Model | W (mm) | | D (mm) | | | H (mm) | |
|-------------------|--------|----|--------|-------|-------|--------|-------|
| | W1 | W2 | D1 | D2 | D3 | H1 | H2 |
| DIAVH-A300 Series | 147.5 | 70 | 230 | 254.8 | 270.8 | 192 | 202.2 |

Ordering Information

| Product | Model Name | Description | Specifications | | | | | | | | | | | | | | | | | | | | | | | | | | | | | | |
|--------------------|-------------------|--------------------|-----------------------------|--------------------|----------|-----|-----|-------------------|---------------|--------------------|---|---|--------------------|----------|---|---|--------------------|----------|---|---|--------------------|-----------|---|---|--------------------|-------------------|-------------------|-------------------|-------------------|------------------|---|-------------------|------------------|
| | | | CPU | Memory | Storage | COM | LAN | USB | PCI Expansion | Operating System | | | | | | | | | | | | | | | | | | | | | | | |
| IPC | Embedded Type | IPC-E200-N31202E00 | Intel® Celeron N3350 | 2GB RAM | 64G SSD | 1 | 1 | 2 | - | Win10 IOT | | | | | | | | | | | | | | | | | | | | | | | |
| | | IPC-E200-N31202000 | | IPC hardware only | | | | | | | | | | | | | | | | | | | | | | | | | | | | | |
| | | IPC-E200-N32202E00 | | Win10 IOT | | | | | | | | | | | | | | | | | | | | | | | | | | | | | |
| | | IPC-E200-N32202000 | | IPC hardware only | | | | | | | | | | | | | | | | | | | | | | | | | | | | | |
| | Standard Type | DIAVH-IPC00J104 | Intel® Celeron J1900 | 4GB RAM | 128G SSD | 6 | 2 | 6 | | Win10-Professional | | | | | | | | | | | | | | | | | | | | | | | |
| | | DIAVH-IPC00J103 | | IPC hardware only | | | | | | | | | | | | | | | | | | | | | | | | | | | | | |
| | | DIAVH-IPC00J114 | | Win10-Professional | | | | | | | | | | | | | | | | | | | | | | | | | | | | | |
| | | DIAVH-IPC00J113 | | IPC hardware only | | | | | | | | | | | | | | | | | | | | | | | | | | | | | |
| | Advanced Type | DIAVH-IPC003104A | Intel® Core i3 | 4GB RAM | 256G SSD | | | | | 6 | 2 | 6 | Win10-Professional | | | | | | | | | | | | | | | | | | | | |
| | | DIAVH-IPC003103A | | IPC hardware only | | | | | | | | | | | | | | | | | | | | | | | | | | | | | |
| | | DIAVH-IPC003114A | | Win10-Professional | | | | | | | | | | | | | | | | | | | | | | | | | | | | | |
| | | DIAVH-IPC003113A | | IPC hardware only | | | | | | | | | | | | | | | | | | | | | | | | | | | | | |
| | | DIAVH-IPC005104A | Intel® Core i5 | 4GB RAM | | | | | | | | | 512G SSD | 6 | 2 | 6 | Win10-Professional | | | | | | | | | | | | | | | | |
| | | DIAVH-IPC005103A | | IPC hardware only | | | | | | | | | | | | | | | | | | | | | | | | | | | | | |
| | | DIAVH-IPC005114A | | Win10-Professional | | | | | | | | | | | | | | | | | | | | | | | | | | | | | |
| | | DIAVH-IPC005113A | | IPC hardware only | | | | | | | | | | | | | | | | | | | | | | | | | | | | | |
| | | DIAVH-IPC003104 | Intel® Core i3 | 4GB RAM | | | | | | | | | | | | | 512G SSD | 6 | 2 | 6 | Win10-Professional | | | | | | | | | | | | |
| | | DIAVH-IPC003103 | | IPC hardware only | | | | | | | | | | | | | | | | | | | | | | | | | | | | | |
| | | DIAVH-IPC003114 | | Win10-Professional | | | | | | | | | | | | | | | | | | | | | | | | | | | | | |
| | | DIAVH-IPC003113 | | IPC hardware only | | | | | | | | | | | | | | | | | | | | | | | | | | | | | |
| | | DIAVH-IPC005104 | Intel® Core i5 | 4GB RAM | | | | | | | | | | | | | | | | | 512G SSD | 6 | 2 | 6 | Win10-Professional | | | | | | | | |
| | | DIAVH-IPC005103 | | IPC hardware only | | | | | | | | | | | | | | | | | | | | | | | | | | | | | |
| | | DIAVH-IPC005114 | | Win10-Professional | | | | | | | | | | | | | | | | | | | | | | | | | | | | | |
| | | DIAVH-IPC005113 | | IPC hardware only | | | | | | | | | | | | | | | | | | | | | | | | | | | | | |
| | Professional Type | IPC-A300-I334A2E00 | Industrial Fanless Computer | Intel® Core i3 | 8GB RAM | | | | | 256G SSD | 4 | 2 | | | | | | | | | | | | | 6 | 2× PCI | Win10-Enterprise | | | | | | |
| | | IPC-A300-I334A2000 | | | | | | | | | | | | | | | | | | | | | | | | IPC hardware only | | | | | | | |
| | | IPC-A300-I334B2E00 | | | | | | | | | | | | | | | | | | | | | | | | 1× PCI+ 1× PCIe16 | Win10-Enterprise | | | | | | |
| | | IPC-A300-I334B2000 | | | | | | | | | | | | | | | | | | | | | | | | IPC hardware only | | | | | | | |
| | | IPC-A300-I534A2E00 | | Intel® Core i5 | | | | | | | | | 8GB RAM | 256G SSD | 4 | 2 | | | | | | | | | | 6 | 2× PCI | Win10-Enterprise | | | | | |
| | | IPC-A300-I534A2000 | | | | | | | | | | | | | | | | | | | | | | | | | IPC hardware only | | | | | | |
| | | IPC-A300-I534B2E00 | | | | | | | | | | | | | | | | | | | | | | | | | 1× PCI+ 1× PCIe16 | Win10-Enterprise | | | | | |
| | | IPC-A300-I534B2000 | | | | | | | | | | | | | | | | | | | | | | | | | IPC hardware only | | | | | | |
| | | IPC-A300-I734A2E00 | | Intel® Core i7 | | | | | | | | | | | | | 8GB RAM | 256G SSD | 4 | 2 | | | | | | | 6 | 2× PCI | Win10-Enterprise | | | | |
| | | IPC-A300-I734A2000 | | | | | | | | | | | | | | | | | | | | | | | | | | IPC hardware only | | | | | |
| | | IPC-A300-I734B2E00 | | | | | | | | | | | | | | | | | | | | | | | | | | 1× PCI+ 1× PCIe16 | Win10-Enterprise | | | | |
| | | IPC-A300-I734B2000 | | | | | | | | | | | | | | | | | | | | | | | | | | IPC hardware only | | | | | |
| | | IPC-A300-I335A2E00 | | Intel® Core i3 | | | | | | | | | | | | | | | | | 8GB RAM | 512GB SSD | 4 | 2 | | | | 6 | 2× PCI | Win10-Enterprise | | | |
| | | IPC-A300-I335A2000 | | | | | | | | | | | | | | | | | | | | | | | | | | | IPC hardware only | | | | |
| | | IPC-A300-I335B2E00 | | | | | | | | | | | | | | | | | | | | | | | | | | | 1× PCI+ 1× PCIe16 | Win10-Enterprise | | | |
| | | IPC-A300-I335B2000 | | | | | | | | | | | | | | | | | | | | | | | | | | | IPC hardware only | | | | |
| IPC-A300-I535A2E00 | | Intel® Core i5 | | 8GB RAM | | | | | 512GB SSD | | | | | | | | | | | | | | | | | | | | 4 | 2 | 6 | 2× PCI | Win10-Enterprise |
| IPC-A300-I535A2000 | | | | | | | | | | | | | | | | | | | | | | | | | | | | | | | | IPC hardware only | |
| IPC-A300-I535B2E00 | | | | | | | | | | | | | | | | | | | | | | | | | | | | | | | | 1× PCI+ 1× PCIe16 | Win10-Enterprise |
| IPC-A300-I535B2000 | | | | | | | | | | | | | | | | | | | | | | | | | | | | | | | | IPC hardware only | |
| IPC-A300-I735A2E00 | Intel® Core i7 | 8GB RAM | 512GB SSD | | 4 | 2 | 6 | 2× PCI | | Win10-Enterprise | | | | | | | | | | | | | | | | | | | | | | | |
| IPC-A300-I735A2000 | | | | | | | | IPC hardware only | | | | | | | | | | | | | | | | | | | | | | | | | |
| IPC-A300-I735B2E00 | | | | | | | | 1× PCI+ 1× PCIe16 | | Win10-Enterprise | | | | | | | | | | | | | | | | | | | | | | | |
| IPC-A300-I735B2000 | | | | | | | | IPC hardware only | | | | | | | | | | | | | | | | | | | | | | | | | |

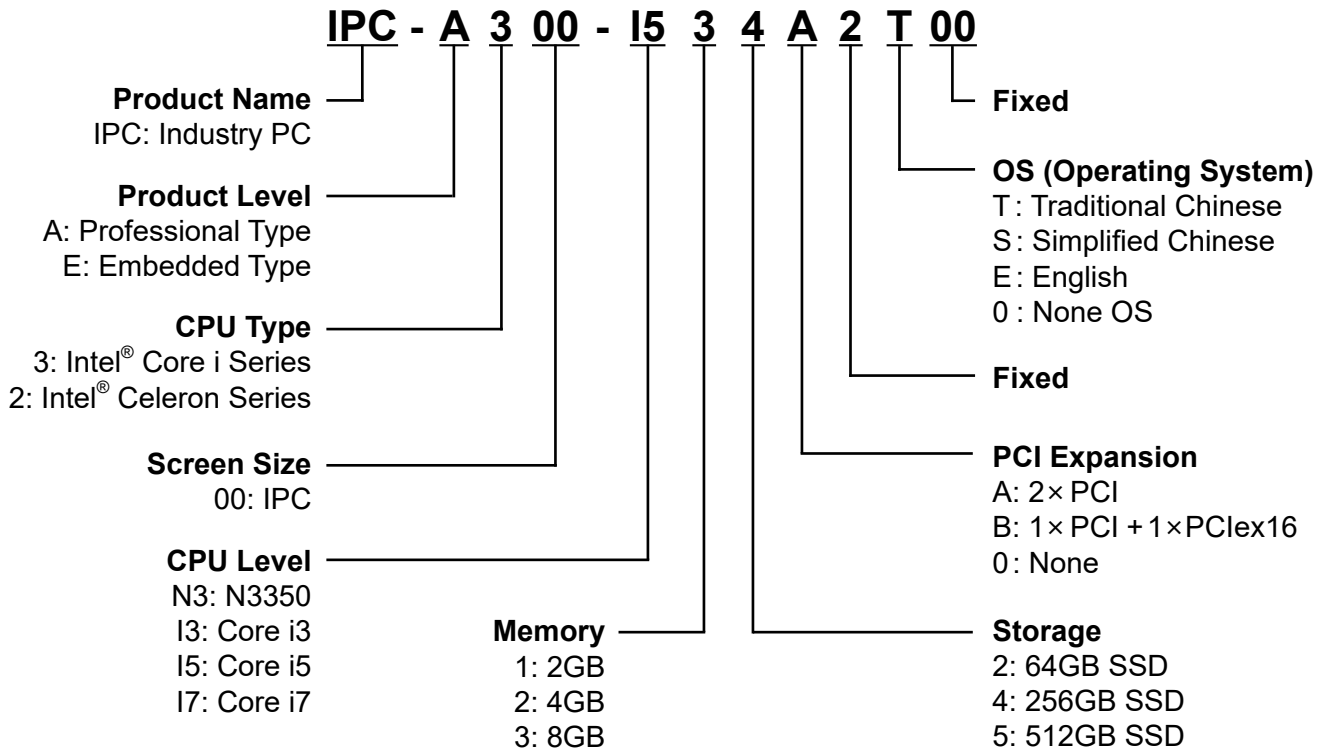
| Product | Model Name | Description | Specifications | | | | | | | |
|----------------|---------------|---|----------------------|--------------------|---------|----------|-----|-----|-----|--------------------|
| | | | CPU | Size | Memory | Storage | COM | LAN | USB | Operating System |
| PPC | Standard Type | Fanless Resistive Touch screen Panel PC | Intel® Celeron J1900 | 10-inch | 4GB RAM | 128G SSD | 4 | 2 | 4 | Win10-Professional |
| | | | | | 8GB RAM | | | | | PPC hardware only |
| | | | | | 4GB RAM | | | | | Win10-Professional |
| | | | | | 8GB RAM | | | | | PPC hardware only |
| | | | | | 4GB RAM | | | | | Win10-Professional |
| | | | | | 8GB RAM | | | | | PPC hardware only |
| | | | | 12-inch | 4GB RAM | | | | | Win10-Professional |
| | | | | | 8GB RAM | | | | | PPC hardware only |
| | | | | | 4GB RAM | | | | | Win10-Professional |
| | | | | | 8GB RAM | | | | | PPC hardware only |
| | | | | | 4GB RAM | | | | | Win10-Professional |
| | | | | | 8GB RAM | | | | | PPC hardware only |
| | | | | 15-inch | 4GB RAM | | | | | Win10-Professional |
| | | | | | 8GB RAM | | | | | PPC hardware only |
| | | | | | 4GB RAM | | | | | Win10-Professional |
| | | | | | 8GB RAM | | | | | PPC hardware only |
| | | | | | 4GB RAM | | | | | Win10-Professional |
| | | | | | 8GB RAM | | | | | PPC hardware only |
| | 17-inch | | 4GB RAM | Win10-Professional | | | | | | |
| | | | 8GB RAM | PPC hardware only | | | | | | |
| | | | 4GB RAM | Win10-Professional | | | | | | |
| | | | 8GB RAM | PPC hardware only | | | | | | |
| | | | 4GB RAM | Win10-Professional | | | | | | |
| | | | 8GB RAM | PPC hardware only | | | | | | |
| | 19-inch | | 4GB RAM | Win10-Professional | | | | | | |
| | | | 8GB RAM | PPC hardware only | | | | | | |
| | | | 4GB RAM | Win10-Professional | | | | | | |
| | | | 8GB RAM | PPC hardware only | | | | | | |
| | | | 4GB RAM | Win10-Professional | | | | | | |
| | | | 8GB RAM | PPC hardware only | | | | | | |
| | 21-inch | | 4GB RAM | Win10-Professional | | | | | | |
| | | | 8GB RAM | PPC hardware only | | | | | | |
| | | | 4GB RAM | Win10-Professional | | | | | | |
| | | | 8GB RAM | PPC hardware only | | | | | | |
| 4GB RAM | | Win10-Professional | | | | | | | | |
| 8GB RAM | | PPC hardware only | | | | | | | | |
| Advanced Type | | | Intel® Core i3 | 15-inch | 4GB RAM | 256G SSD | 4 | 2 | 4 | Win10-Professional |
| | | | | | 8GB RAM | | | | | PPC hardware only |
| | | | | | 4GB RAM | | | | | Win10-Professional |
| | | | | | 8GB RAM | | | | | PPC hardware only |
| | | | Intel® Core i5 | | 4GB RAM | | | | | Win10-Professional |
| | | | | | 8GB RAM | | | | | PPC hardware only |
| | | | | | 4GB RAM | | | | | Win10-Professional |
| | | | | | 8GB RAM | | | | | PPC hardware only |
| | | | Intel® Core i3 | 17-inch | 4GB RAM | | | | | Win10-Professional |
| | | | | | 8GB RAM | | | | | PPC hardware only |
| | | | | | 4GB RAM | | | | | Win10-Professional |
| | | | | | 8GB RAM | | | | | PPC hardware only |
| | | | Intel® Core i5 | | 4GB RAM | | | | | Win10-Professional |
| | | | | | 8GB RAM | | | | | PPC hardware only |
| | | | | | 4GB RAM | | | | | Win10-Professional |
| | | | | | 8GB RAM | | | | | PPC hardware only |
| Intel® Core i3 | 19-inch | 4GB RAM | Win10-Professional | | | | | | | |
| | | 8GB RAM | PPC hardware only | | | | | | | |
| | | 4GB RAM | Win10-Professional | | | | | | | |
| | | 8GB RAM | PPC hardware only | | | | | | | |

Ordering Information

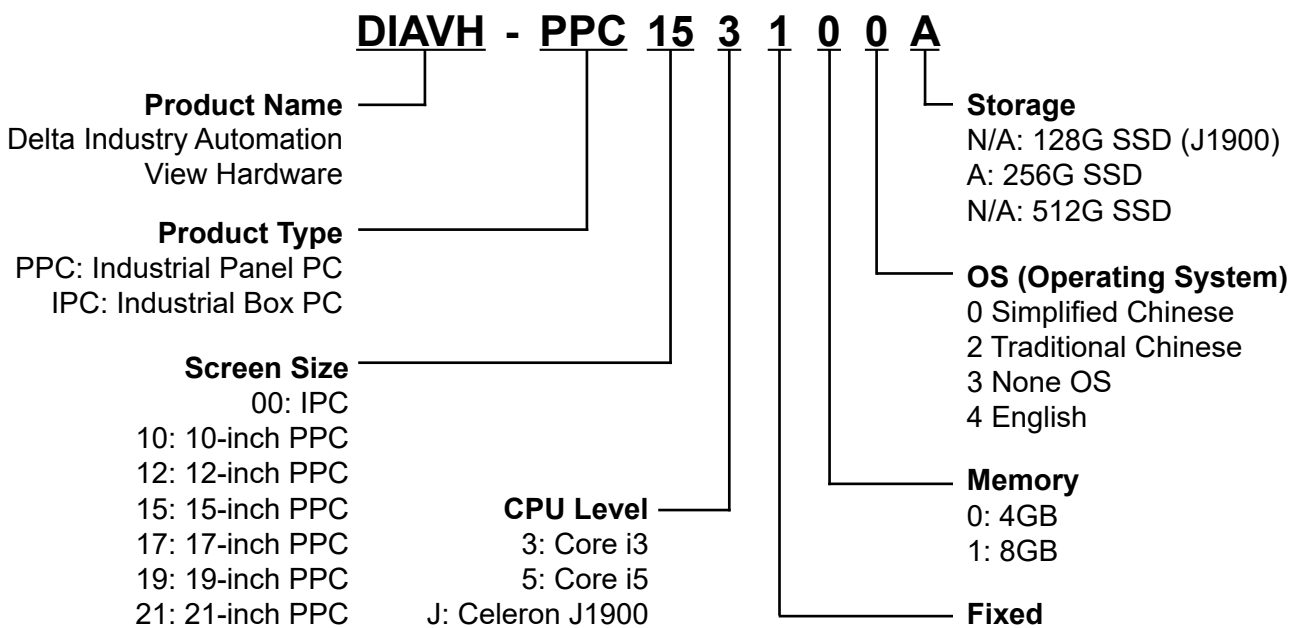
| Product | Model Name | Description | Specifications | | | | | | | |
|----------------|---------------|---|--------------------|---------|---------|--------------------|-----|-----|-----|--------------------|
| | | | CPU | Size | Memory | Storage | COM | LAN | USB | Operating System |
| PPC | Advanced Type | Fanless Resistive Touch screen Panel PC | Intel® Core i5 | 19-inch | 4GB RAM | 256G SSD | 4 | 2 | 4 | Win10-Professional |
| | | | | | 8GB RAM | | | | | PPC hardware only |
| | | | | | 4GB RAM | | | | | Win10-Professional |
| | | | | | 8GB RAM | | | | | PPC hardware only |
| | | | Intel® Core i3 | 21-inch | 4GB RAM | | | | | Win10-Professional |
| | | | | | 8GB RAM | | | | | PPC hardware only |
| | | | | | 4GB RAM | | | | | Win10-Professional |
| | | | | | 8GB RAM | | | | | PPC hardware only |
| | | | Intel® Core i5 | 21-inch | 4GB RAM | | | | | Win10-Professional |
| | | | | | 8GB RAM | | | | | PPC hardware only |
| | | | | | 4GB RAM | | | | | Win10-Professional |
| | | | | | 8GB RAM | | | | | PPC hardware only |
| | | | Intel® Core i3 | 15-inch | 4GB RAM | Win10-Professional | | | | |
| | | | | | 8GB RAM | PPC hardware only | | | | |
| | | | | | 4GB RAM | Win10-Professional | | | | |
| | | | | | 8GB RAM | PPC hardware only | | | | |
| | | | Intel® Core i5 | 15-inch | 4GB RAM | Win10-Professional | | | | |
| | | | | | 8GB RAM | PPC hardware only | | | | |
| | | | | | 4GB RAM | Win10-Professional | | | | |
| | | | | | 8GB RAM | PPC hardware only | | | | |
| | | | Intel® Core i3 | 17-inch | 4GB RAM | 512G SSD | | | | Win10-Professional |
| | | | | | 8GB RAM | | | | | PPC hardware only |
| | | | | | 4GB RAM | | | | | Win10-Professional |
| | | | | | 8GB RAM | | | | | PPC hardware only |
| | | | Intel® Core i5 | 17-inch | 4GB RAM | | | | | Win10-Professional |
| | | | | | 8GB RAM | | | | | PPC hardware only |
| | | | | | 4GB RAM | | | | | Win10-Professional |
| | | | | | 8GB RAM | | | | | PPC hardware only |
| | | | Intel® Core i3 | 19-inch | 4GB RAM | | | | | Win10-Professional |
| | | | | | 8GB RAM | | | | | PPC hardware only |
| | | | | | 4GB RAM | | | | | Win10-Professional |
| | | | | | 8GB RAM | | | | | PPC hardware only |
| | | | Intel® Core i5 | 19-inch | 4GB RAM | Win10-Professional | | | | |
| | | | | | 8GB RAM | PPC hardware only | | | | |
| | | | | | 4GB RAM | Win10-Professional | | | | |
| | | | | | 8GB RAM | PPC hardware only | | | | |
| | | | Intel® Core i3 | 21-inch | 4GB RAM | Win10-Professional | | | | |
| | | | | | 8GB RAM | PPC hardware only | | | | |
| | | | | | 4GB RAM | Win10-Professional | | | | |
| | | | | | 8GB RAM | PPC hardware only | | | | |
| Intel® Core i5 | 21-inch | 4GB RAM | Win10-Professional | | | | | | | |
| | | 8GB RAM | PPC hardware only | | | | | | | |
| | | 4GB RAM | Win10-Professional | | | | | | | |
| | | 8GB RAM | PPC hardware only | | | | | | | |

Model Information

Embedded Type / Professional Type



Standard Type / Advanced Type





Smarter. Greener. Together.

Industrial Automation Headquarters

Taiwan: Delta Electronics, Inc.

Taoyuan Technology Center
No.18, Xinglong Rd., Taoyuan District,
Taoyuan City 33068, Taiwan
TEL: +886-3-362-6301 / FAX: +886-3-371-6301

Asia

China: Delta Electronics (Shanghai) Co., Ltd.

No.182 Minyu Rd., Pudong Shanghai, P.R.C.
Post code : 201209
TEL: +86-21-6872-3988 / FAX: +86-21-6872-3996
Customer Service: 400-820-9595

Japan: Delta Electronics (Japan), Inc.

Industrial Automation Sales Department
2-1-14 Shibadaimon, Minato-ku
Tokyo, Japan 105-0012
TEL: +81-3-5733-1155 / FAX: +81-3-5733-1255

Korea: Delta Electronics (Korea), Inc.

1511, 219, Gasan Digital 1-Ro., Geumcheon-gu,
Seoul, 08501 South Korea
TEL: +82-2-515-5305 / FAX: +82-2-515-5302

Singapore: Delta Energy Systems (Singapore) Pte Ltd.

4 Kaki Bukit Avenue 1, #05-04, Singapore 417939
TEL: +65-6747-5155 / FAX: +65-6744-9228

India: Delta Electronics (India) Pvt. Ltd.

Plot No.43, Sector 35, HSIIDC Gurgaon,
PIN 122001, Haryana, India
TEL: +91-124-4874900 / FAX: +91-124-4874945

Thailand: Delta Electronics (Thailand) PCL.

909 Soi 9, Moo 4, Bangpoo Industrial Estate (E.P.Z),
Pattana 1 Rd., T.Phraksa, A.Muang,
Samutprakarn 10280, Thailand
TEL: +66-2709-2800 / FAX: +66-2709-2827

Australia: Delta Electronics (Australia) Pty Ltd.

Unit 20-21/45 Normanby Rd., Notting Hill Vic 3168, Australia
TEL: +61-3-9543-3720

Americas

USA: Delta Electronics (Americas) Ltd.

5101 Davis Drive, Research Triangle Park, NC 27709, U.S.A.
TEL: +1-919-767-3813 / FAX: +1-919-767-3969

Brazil: Delta Electronics Brazil

Rua Itapeva, 26 - 3º, andar Edifício Itapeva,
One - Bela Vista 01332-000 - São Paulo - SP - Brazil
TEL: +55-12-3932-2300 / FAX: +55-12-3932-237

Mexico: Delta Electronics International Mexico S.A. de C.V.

Gustavo Baz No. 309 Edificio E PB 103
Colonia La Loma, CP 54060
Tlalnepantla, Estado de México
TEL: +52-55-3603-9200

EMEA

EMEA Headquarters: Delta Electronics (Netherlands) B.V.

Sales: Sales.IA.EMEA@deltaww.com
Marketing: Marketing.IA.EMEA@deltaww.com
Technical Support: iatechnicalsupport@deltaww.com
Customer Support: Customer-Support@deltaww.com
Service: Service.IA.emea@deltaww.com
TEL: +31(0)40 800 3900

BENELUX: Delta Electronics (Netherlands) B.V.

Automotive Campus 260, 5708 JZ Helmond, The Netherlands
Mail: Sales.IA.Benelux@deltaww.com
TEL: +31(0)40 800 3900

DACH: Delta Electronics (Netherlands) B.V.

Coesterweg 45, D-59494 Soest, Germany
Mail: Sales.IA.DACH@deltaww.com
TEL: +49(0)2921 987 0

France: Delta Electronics (France) S.A.

ZI du bois Challand 2, 15 rue des Pyrénées,
Lisses, 91090 Evry Cedex, France
Mail: Sales.IA.FR@deltaww.com
TEL: +33(0)1 69 77 82 60

Iberia: Delta Electronics Solutions (Spain) S.L.U

Ctra. De Villaverde a Vallecas, 265 1º Dcha Ed.
Hormigueras – P.I. de Vallecas 28031 Madrid
TEL: +34(0)91 223 74 20

Carrer Llacuna 166, 08018 Barcelona, Spain

Mail: Sales.IA.Iberia@deltaww.com

Italy: Delta Electronics (Italy) S.r.l.

Via Meda 2-22060 Novedrate(CO)
Piazza Grazioli 18 00186 Roma Italy
Mail: Sales.IA.Italy@deltaww.com
TEL: +39 039 8900365

Russia: Delta Energy System LLC

Vereyskaya Plaza II, office 112 Vereyskaya str.
17 121357 Moscow Russia
Mail: Sales.IA.RU@deltaww.com
TEL: +7 495 644 3240

Turkey: Delta Greentech Elektronik San. Ltd. Sti. (Turkey)

Şerifali Mah. Hendem Cad. Kule Sok. No:16-A
34775 Ümraniye – İstanbul
Mail: Sales.IA.Turkey@deltaww.com
TEL: + 90 216 499 9910

MEA: Eltek Dubai (Eltek MEA DMCC)

OFFICE 2504, 25th Floor, Saba Tower 1,
Jumeirah Lakes Towers, Dubai, UAE
Mail: Sales.IA.MEA@deltaww.com
TEL: +971(0)4 2690148