

Dual Display Fiber Optic Amplifiers



BFX Series CATALOG

For your safety, read and follow the considerations written in the instruction manual, other manuals and Autonics website.

The specifications, dimensions, etc. are subject to change without notice for product improvement. Some models may be discontinued without notice.

Features

- Dual-display for light incident level and setting value
- Enables to detect the minute object with 1/10,000 high resolution
- Enables to detect with high-speed moving object (response time 50 μ s)
- 5 response times
: ultra fast mode (50 μ s), fast mode (150 μ s), standard mode (500 μ s), long distance mode (4 ms), ultra long distance mode (10 ms)
- Anti-saturation setting function prevents malfunction by saturated light
- External input
: emitter OFF, remote sensitivity setting, peak reset, output ON/OFF/Keep, energy saving OFF
- Multiple sensitivity setting modes available
: auto tuning (fine-adjusting sensitivity)
teaching sensitivity setting (button or external input auto-tuning, 1-point, 2-point, positioning)

Ordering Information

This is only for reference, the actual product does not support all combinations. For selecting the specified model, follow the Autonics website.

BFX - D1 - ①

① Control output

N: NPN open collector output

P: PNP open collector output

Product Components

- Product
- Connector cable
- Instruction manual

Specifications

Model	BFX-D1-□
Light source	Red LED
Peak emission wavelength	660 nm, modulated
Response time	Standard (500 μ s), Long distance (4 ms), Ultra long distance (10 ms), Ultra fast (50 μ s), Fast (150 μ s) mode
Sensitivity setting	Manual, Teaching (Auto-tuning, 1-point, 2-point, positioning)
Operation mode	Light ON, Dark ON
Measured value display	7-segment LCD, 4-digit (decimal, percentage)
Operation mode of the timer	OFF, OFF Delay, ON Delay, One-shot
External input	Teaching sensitivity, initialization of the incident light level, emitter OFF, control output setting, energy saving mode release
Indicator	Operation indicator (red), display screen (PV display part: red LED, SV display part: green LED)
Approval	CE ENEC
Unit weight (packaged)	\approx 16 g (\approx 115 g)
Power supply	12-24 VDC \pm 10% (ripple P-P: \leq 10%)
Current consumption	\leq 50 mA
Control output	NPN open collector output / PNP open collector output model
Load voltage	\leq 24 VDC \approx
Load current	\leq 100 mA
Residual voltage	NPN: \leq 1 VDC \approx , PNP: \leq 3 VDC \approx
Protection circuit	Reverse power protection circuit, output short overcurrent protection circuit, surge protection circuit
Insulation resistance	\geq 20 M Ω (500 VDC \approx megger)
Dielectric strength	1,000 VAC \sim 50 / 60 Hz for 1 min
Vibration	1 mm double amplitude at frequency 10 to 55 Hz (for 1 min) in each X, Y, Z direction for 2 hours
Shock	500 m/s ² (\approx 50 G) in each X, Y, Z direction for 3 times
Ambient illuminance (receiver)	Sunlight: \leq 11,000 lx, incandescent lamp: \leq 3,000 lx
Ambient temperature ⁰¹⁾	-10 to 50 °C, storage: -20 to 70 °C (no freezing or condensation)
Ambient humidity	35 to 85%RH, storage: 35 to 85%RH (no freezing or condensation)
Protection rating	IP40 (IEC standard)
Connection	Connector cable
Cable spec.	\varnothing 4 mm, 4-wire, 2 m
Wire spec.	AWG22 (0.08 mm, 60-core), insulator outer diameter: \varnothing 1.25 mm
Tightening torque for fiber optic unit	\geq 2kgf
Material	Case: POK, cover: PC

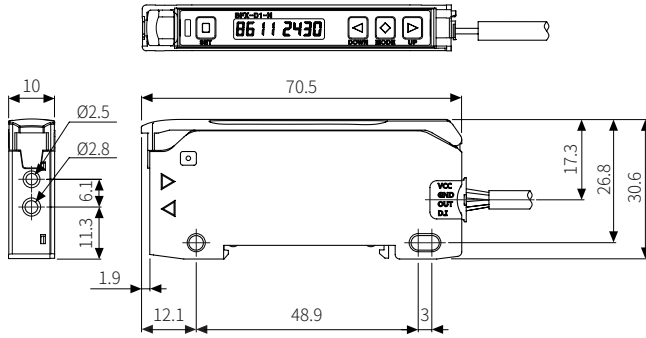
01) 1 to 2 units: -10 to 50 °C, 3 to 8 units: -10 to 35 °C

Be cautious about the heat transfer when the number of connected units is more than 8.

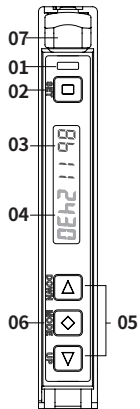
The ambient temperature varies with the number of connected amplifiers that are mounted on the DIN rail. Be sure to check the temperatures when installing in the enclosed area.

Dimensions

- Unit: mm, For the detailed drawings, follow the Autonics website.



Unit Descriptions



- 01. Operation indicator (red)**
ON or OFF depending on the operation mode
- 02. [SET] key**
Teaching sensitivity setting, incident light level monitoring
- 03. PV display part (red 4-digit LED)**
RUN mode: it shows PV (present value).
Setting mode: it shows the parameter.
- 04. SV display part (green 4-digit LED)**
RUN mode: it shows SV (setting value).
Setting mode: it shows the setting value, parameter value.
- 05. [◀] [▶] key**
Manual sensitivity setting, selecting the setting value
- 06. [MODE] key**
Enter mode, return to RUN mode, move parameter,
save the setting value
- 07. Lever lock**
It is used to fix the fiber optic unit.

Sold Separately

- Fiber optic units